



METAL BUILDING SUPPLY, INC

Metal Building Supply, Inc.

19601 N. Mount Olive Road

Gravette, AR 72736

800-467-0626

www.metalbuildingsupply.com

26 Gauge Trim Profiles for

R-Panel / PBR Sheeting

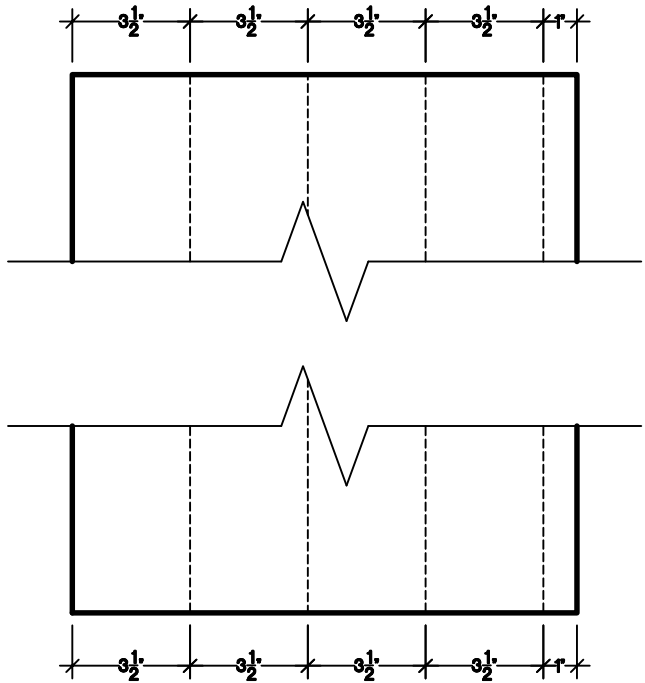
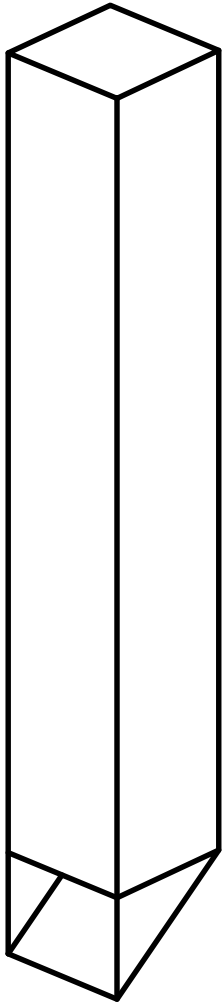
Table of Contents

DS	Down Spout W/ Kick.....	Page 06
DSS	Down Spout Straps.....	Page 07
ELB45	Down Spout Elbow.....	Page 08
ELB95	Down Spout Elbow.....	Page 09
FRC	Die Formed Ridge Cap.....	Page 10
GS	Gutter Supports.....	Page 11
GUT	Sculptured Post-Hung Gutter...1:12 Roof Slope.....	Page 12
GUT	Sculptured Post-Hung Gutter...2:12 Roof Slope.....	Page 13
GUT	Sculptured Post-Hung Gutter...3:12 Roof Slope.....	Page 14
GUT	Sculptured Post-Hung Gutter...4:12 Roof Slope.....	Page 15
GUT	Sculptured Post-Hung Gutter...5:12 Roof Slope.....	Page 16
GUT	Sculptured Post-Hung Gutter...6:12 Roof Slope.....	Page 17
HRBD	Base Drip Trim.....	Page 18
HRBE	Bypass Extension Trim.....	Page 19
HRBG	Base Guard Trim.....	Page 20
HRCO	Outside Corner Trim.....	Page 21
HRCS	Canopy Soffit Peak Trim.....	Page 22
HRCT	Soffit Cap Trim.....	Page 23
HRDA	Double Angle Trim.....	Page 24
HREE	Flush Eave Extension Trim...1:12-2:12.....	Page 25
HREE	Flush Eave Extension Trim...3:12-4:12.....	Page 26

HRERC	Ridge Cap Trim.....	Page 27
HRET	Eave Trim.....	Page 28
HREW	End Wall Trim.....	Page 29
HRFT	Fascia Trim.....	Page 30
HRGA	Gable Trim.....	Page 31
HRSHE	Shadow Gutter End Cap.....	Page 32
HRSHC	Shadow Corner Box...Rake Side.....	Page 33
HRSHC	Shadow Corner Box...Gutter Side.....	Page 34
HRHSE	High Side Eave Trim.....	Page 35
HRSHG	Shadow Post-Hung Gutter...1:12.....	Page 36
HRSHG	Shadow Post-Hung Gutter...2:12.....	Page 37
HRSHG	Shadow Post-Hung Gutter...3:12.....	Page 38
HRSHG	Shadow Post-Hung Gutter...4:12.....	Page 39
HRSHP	Shadow Peak Box...1:12 Roof Slope.....	Page 40
HRSHP	Shadow Peak Box...2:12 Roof Slope.....	Page 41
HRSHP	Shadow Peak Box...3:12 Roof Slope.....	Page 42
HRSHP	Shadow Peak Box...4:12 Roof Slope.....	Page 43
HRSHR	Shadow Rake Trim.....	Page 44
HRHTD	Head Trim W/ Drip.....	Page 45
HRIA2	Inside Angle 2" Trim.....	Page 46
HRIA3	Inside Angle 3" Trim.....	Page 47
HRIC	Inside Corner Trim.....	Page 48

HRJA	Jamb Trim.....	Page 49
HRJH	Jamb/Header Cover Trim.....	Page 50
HRJT	J-Trim.....	Page 51
HRLET	Large Eave Trim.....	Page 52
HROA2	Outside Angle 2" Trim.....	Page 53
HROA3	Outside Angle 3" Trim.....	Page 54
HRPE	Purlin Extension Trim.....	Page 55
HRPT	Partition Trim.....	Page 56
HRSCO	Small Outside Corner Trim.....	Page 57
HRSW	Side Wall Trim.....	Page 58
HRVT	Valley Trim.....	Page 59
SCB	Sculptured Corner Box...Rake...1:12-4:12.....	Page 60
SCB	Sculptured Corner Box..Gutter..1:12-4:12.....	Page 61
SCB	Sculptured Corner Box...Rake...5:12-6:12.....	Page 62
SCB	Sculptured Corner Box..Gutter..5:12-6:12.....	Page 63
SG	Sculptured Pre-Hung Gutter...1:12 Roof Slope.....	Page 64
SG	Sculptured Pre-Hung Gutter...2:12 Roof Slope.....	Page 65
SG	Sculptured Pre-Hung Gutter...3:12 Roof Slope.....	Page 66
SG	Sculptured Pre-Hung Gutter...4:12 Roof Slope.....	Page 67
SG	Sculptured Pre-Hung Gutter...5:12 Roof Slope.....	Page 68
SG	Sculptured Pre-Hung Gutter...6:12 Roof Slope.....	Page 69
SGEC	Sculptured Gutter End Cap...1:12 Roof Slope.....	Page 70

SGEC	Sculptured Gutter End Cap...2:12 Roof Slope.....	Page 71
SGEC	Sculptured Gutter End Cap...3:12 Roof Slope.....	Page 72
SGEC	Sculptured Gutter End Cap...4:12 Roof Slope.....	Page 73
SGEC	Sculptured Gutter End Cap...5:12 Roof Slope.....	Page 74
SGEC	Sculptured Gutter End Cap...6:12 Roof Slope.....	Page 75
SPB	Sculptured Peak Box...1:12 Roof Slope.....	Page 76
SPB	Sculptured Peak Box...2:12 Roof Slope.....	Page 77
SPB	Sculptured Peak Box...3:12 Roof Slope.....	Page 78
SPB	Sculptured Peak Box...4:12 Roof Slope.....	Page 79
SPB	Sculptured Peak Box...5:12 Roof Slope.....	Page 80
SPB	Sculptured Peak Box...6:12 Roof Slope.....	Page 81
SR	Sculptured Rake Trim.....	Page 82
SN	Snow Guard Trim.....	Page 83



DOWN SPOUT W/ KICK (DS)

SLIT SIZE- 15'

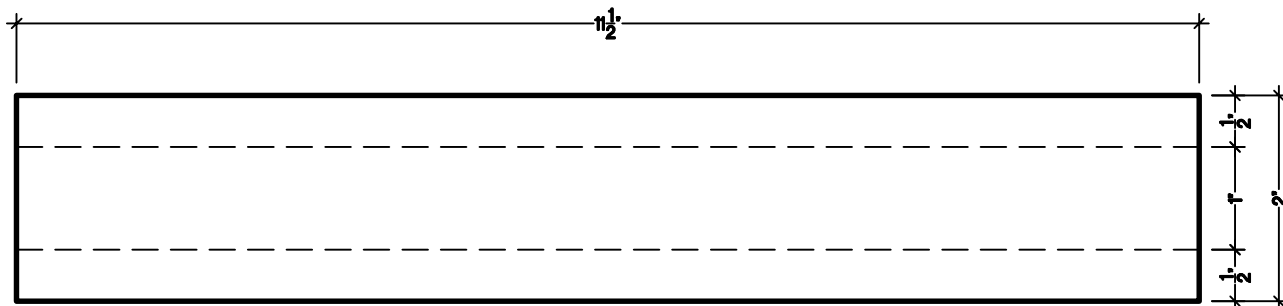
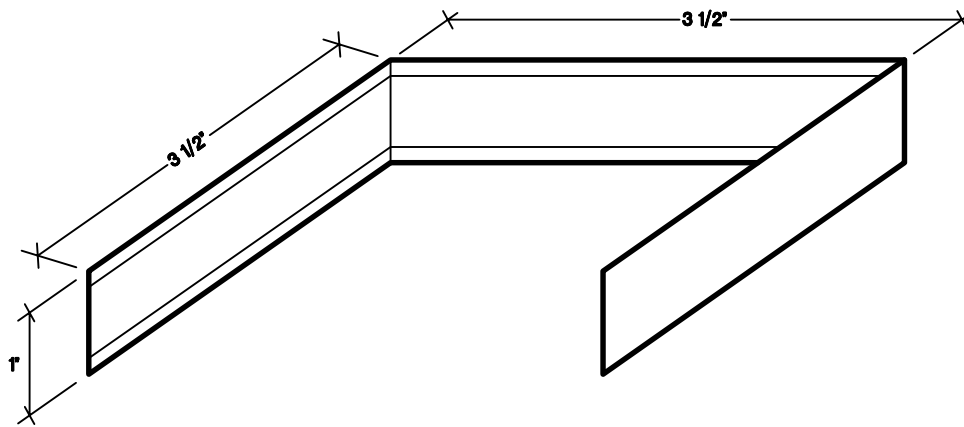
LENGTHS FROM 10'-3" TO 20'-3"

NOTES:

1. ALL BENDS ARE 90° OR 45° U.N.O.

2. ALL HEMS ARE 1/2" U.N.O.

DS

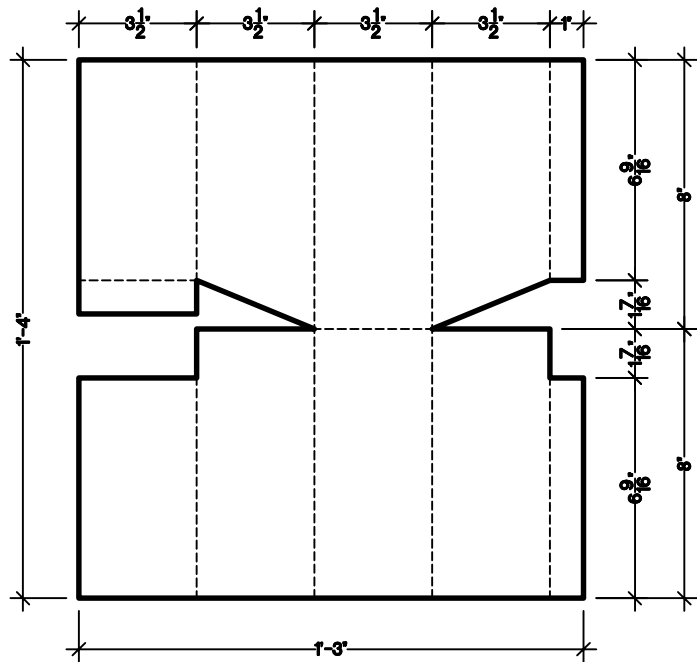
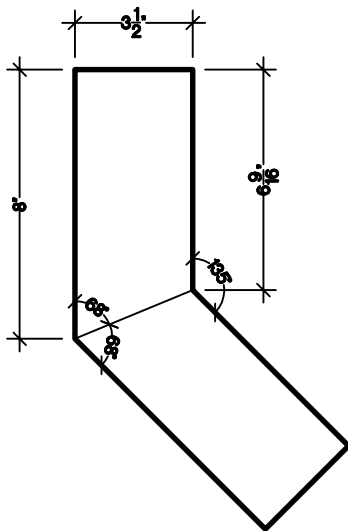


DOWN SPOUT STRAP (DSS)
SLIT SIZE- 2"

NOTES:

1. ALL BENDS ARE 90° UNO.
2. ALL HEMS ARE 1/2" UNO.

DSS
DOWN SPOUT STRAP

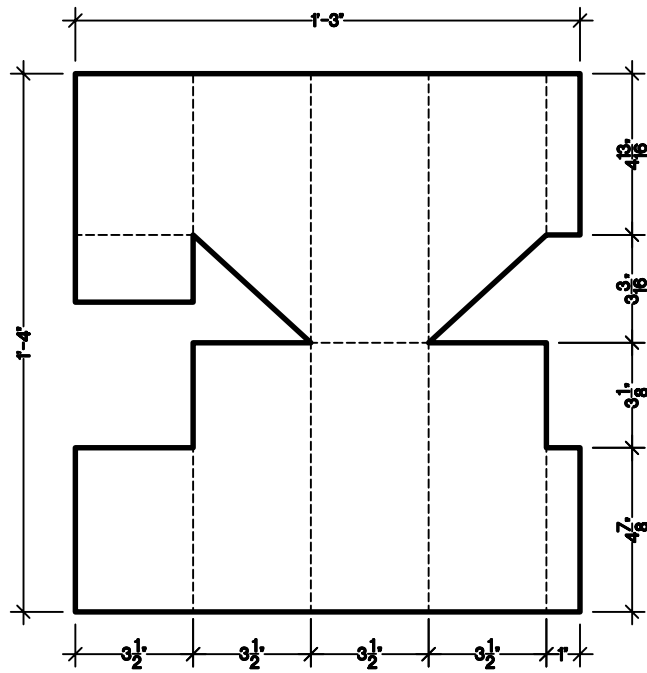
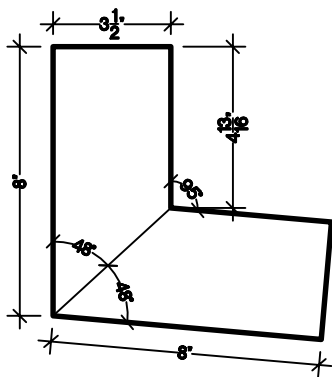


45° ELBOW (ELB45)
SLIT SIZE- 16"

NOTES:

1. ALL BENDS ARE 90° OR 45° U.N.O.
2. ALL HEMS ARE 1/2" U.N.O.

ELB45

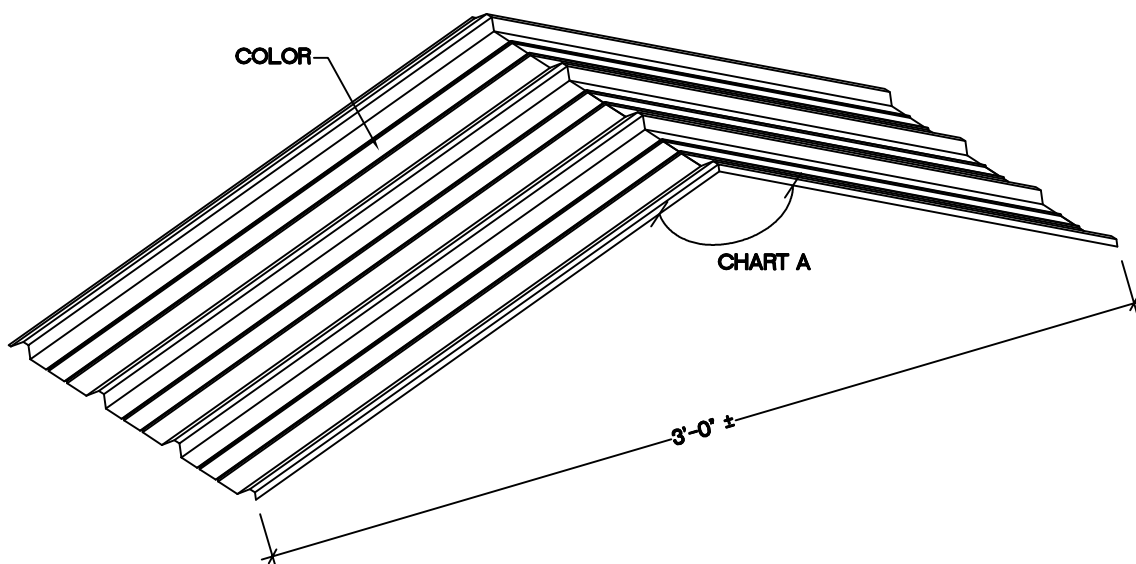


95° ELBOW (ELB95)
SLIT SIZE- 16"

NOTES:

1. ALL BENDS ARE 90° OR 45° U.N.O.
2. ALL HEMS ARE 1/2" U.N.O.

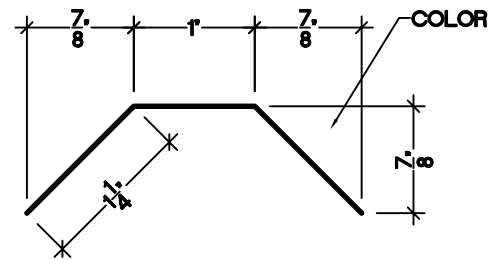
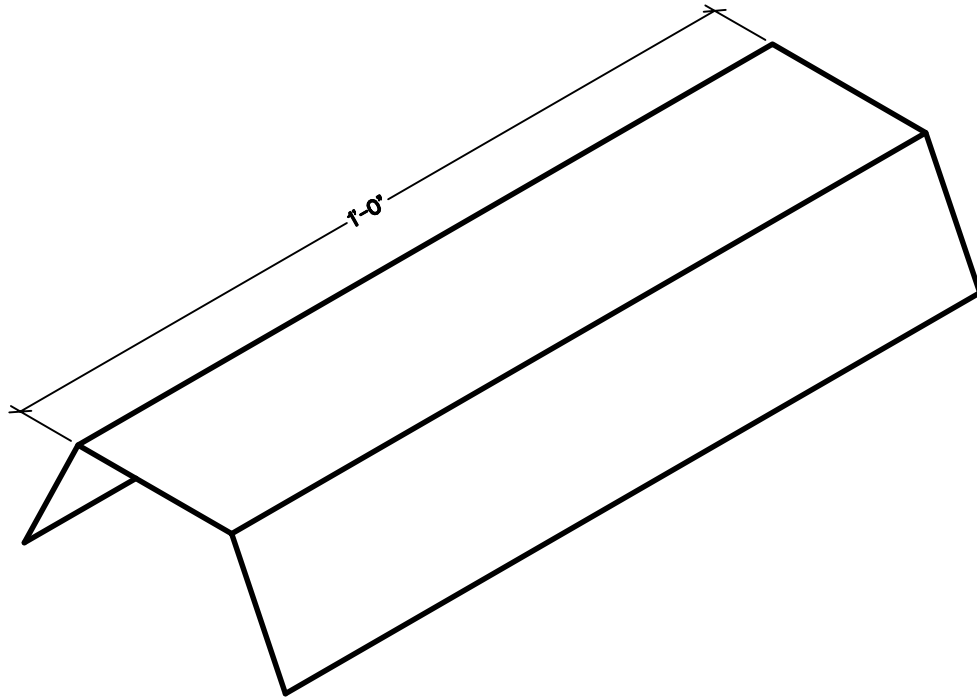
ELB95



FORMED RIDGE CAP TRIM (FRC)

LENGTH - 3'-0"

CHART A		FRC	
ROOF PITCH	DEGREES		
1:12	17°		
2:12	16°		
3:12	15°		
4:12	14°		



GUTTER SUPPORT STRAPS (GS)

SLIT SIZE- 3.5"

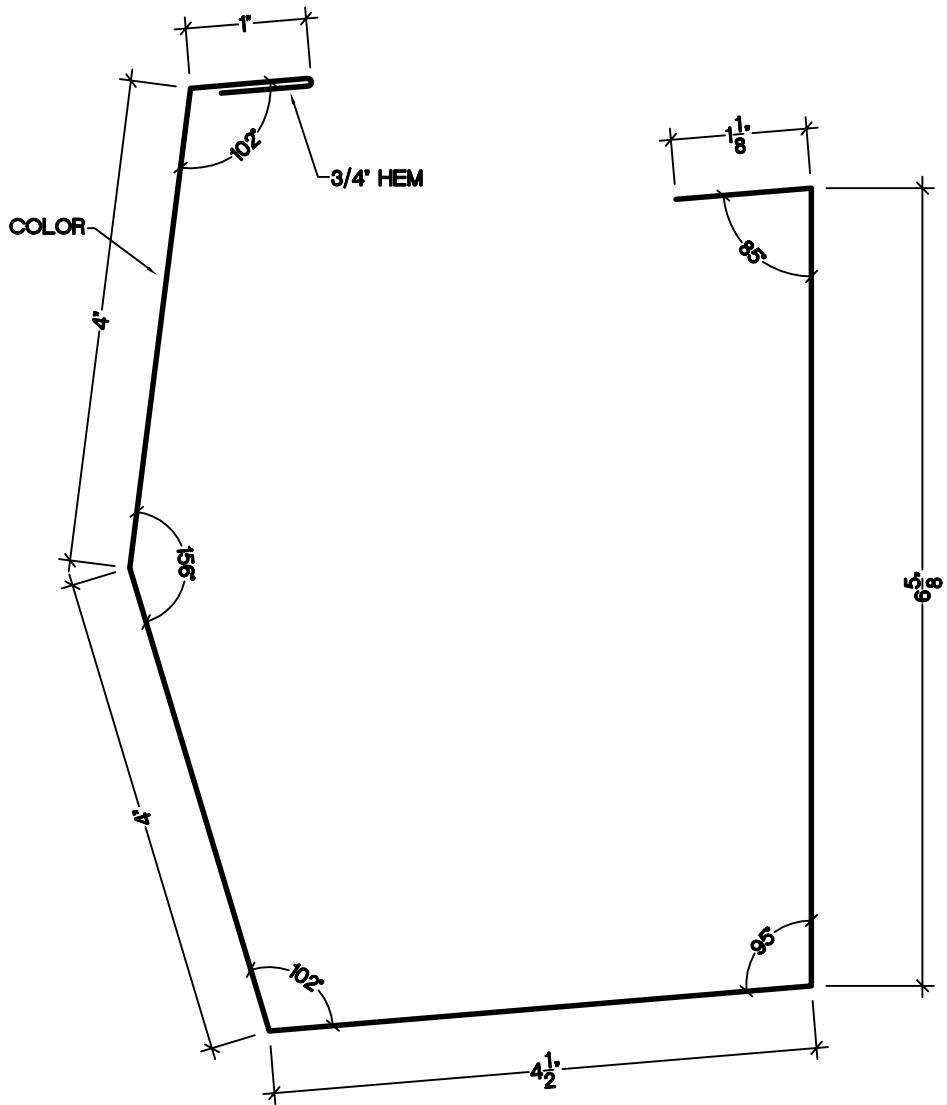
LENGTHS - 1'-0"

NOTES:

1. ALL BENDS ARE 90° OR 45° U.N.O.

2. ALL HEMS ARE 1/2" U.N.O.

GS



POST-HUNG GUTTER (GUT)

SLIT SIZE- 22'

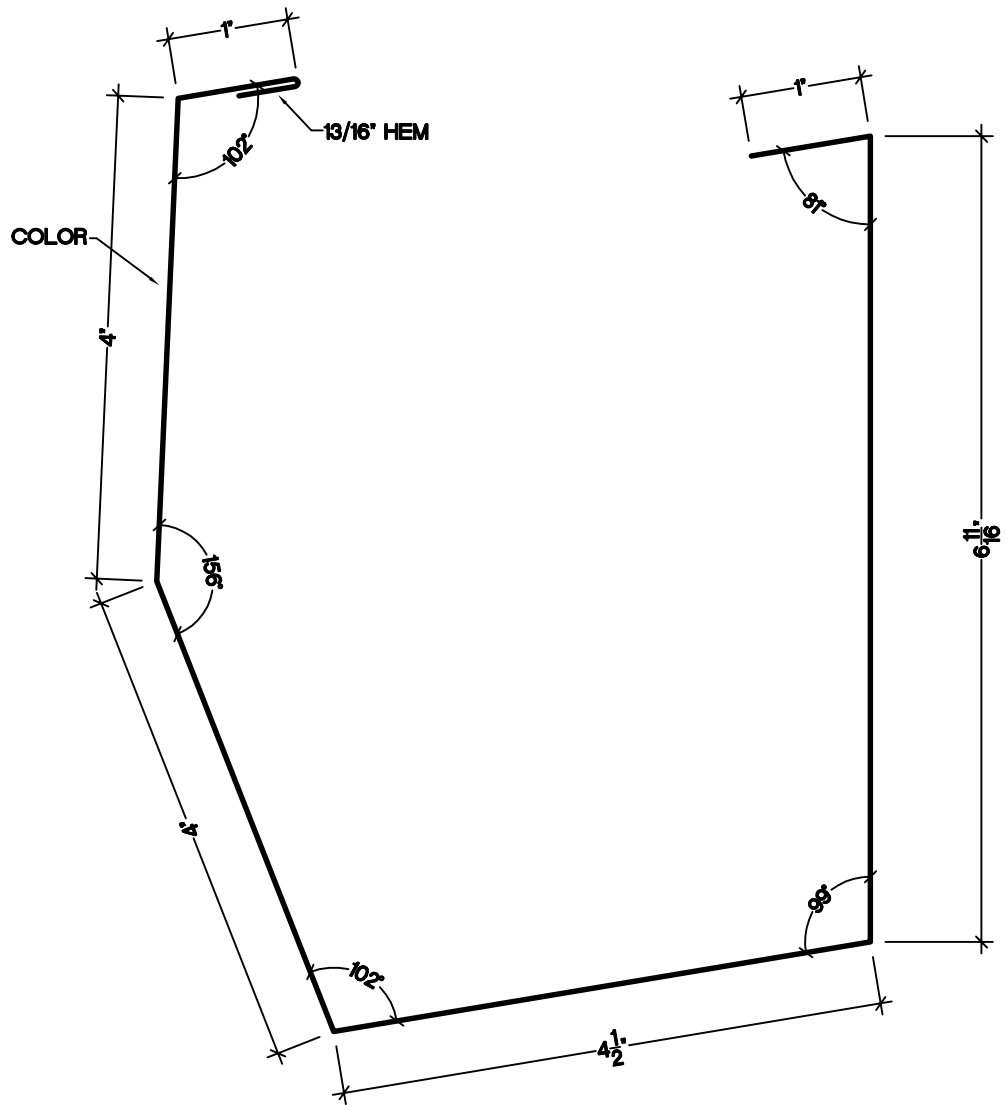
LENGTHS - 10'-3" OR 20'-3"

NOTES:

1. ALL BENDS ARE 90° OR 45° U.N.O.

2. ALL HEMS ARE 1/2" U.N.O.

GUT 1:12 PITCH



POST-HUNG GUTTER (GUT)

SLIT SIZE- 22'

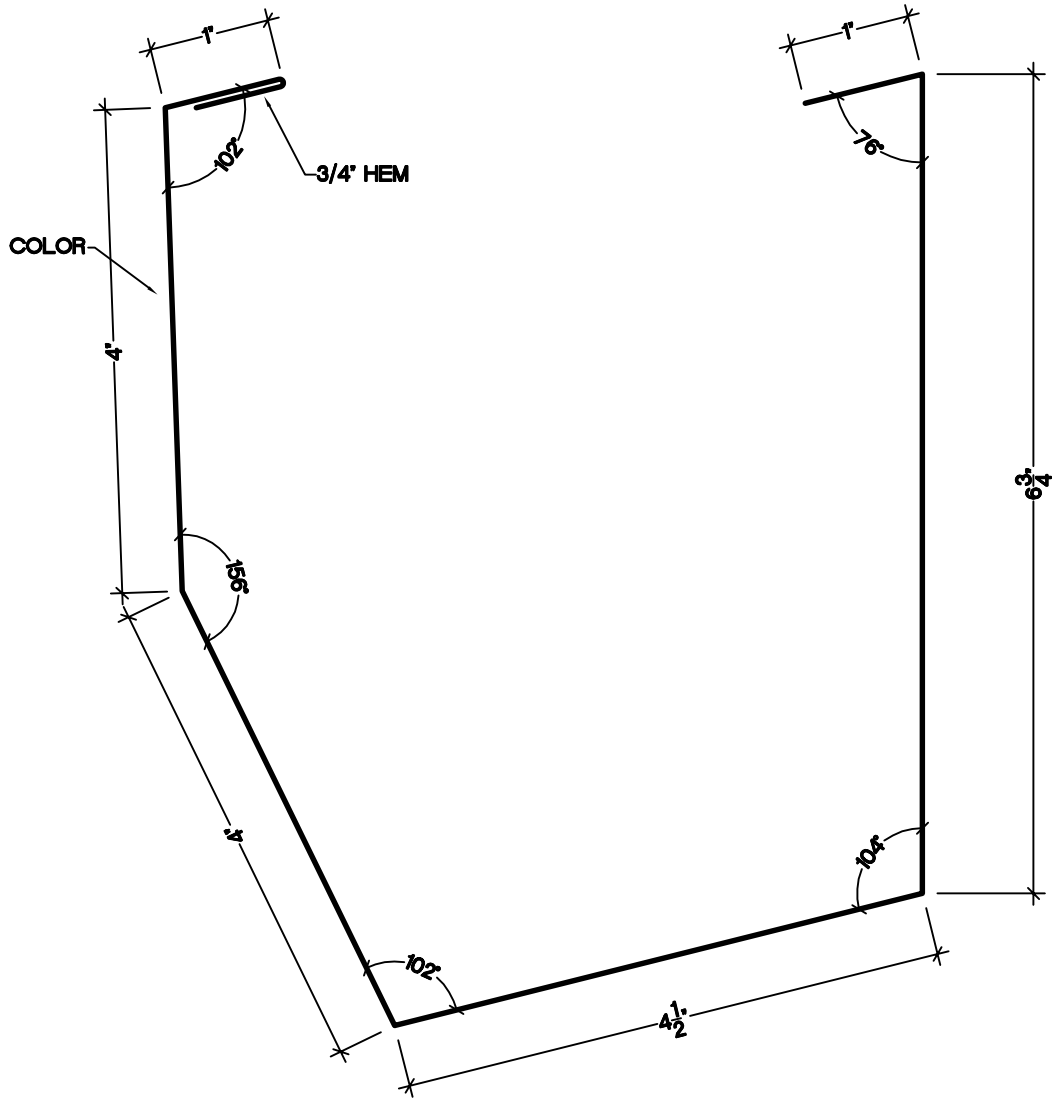
LENGTHS - 10'-3" OR 20'-3"

NOTES:

1. ALL BENDS ARE 90° OR 45° U.N.O.

2. ALL HEMS ARE 1/2" U.N.O.

GUT 2:12 PITCH



POST-HUNG GUTTER (GUT)

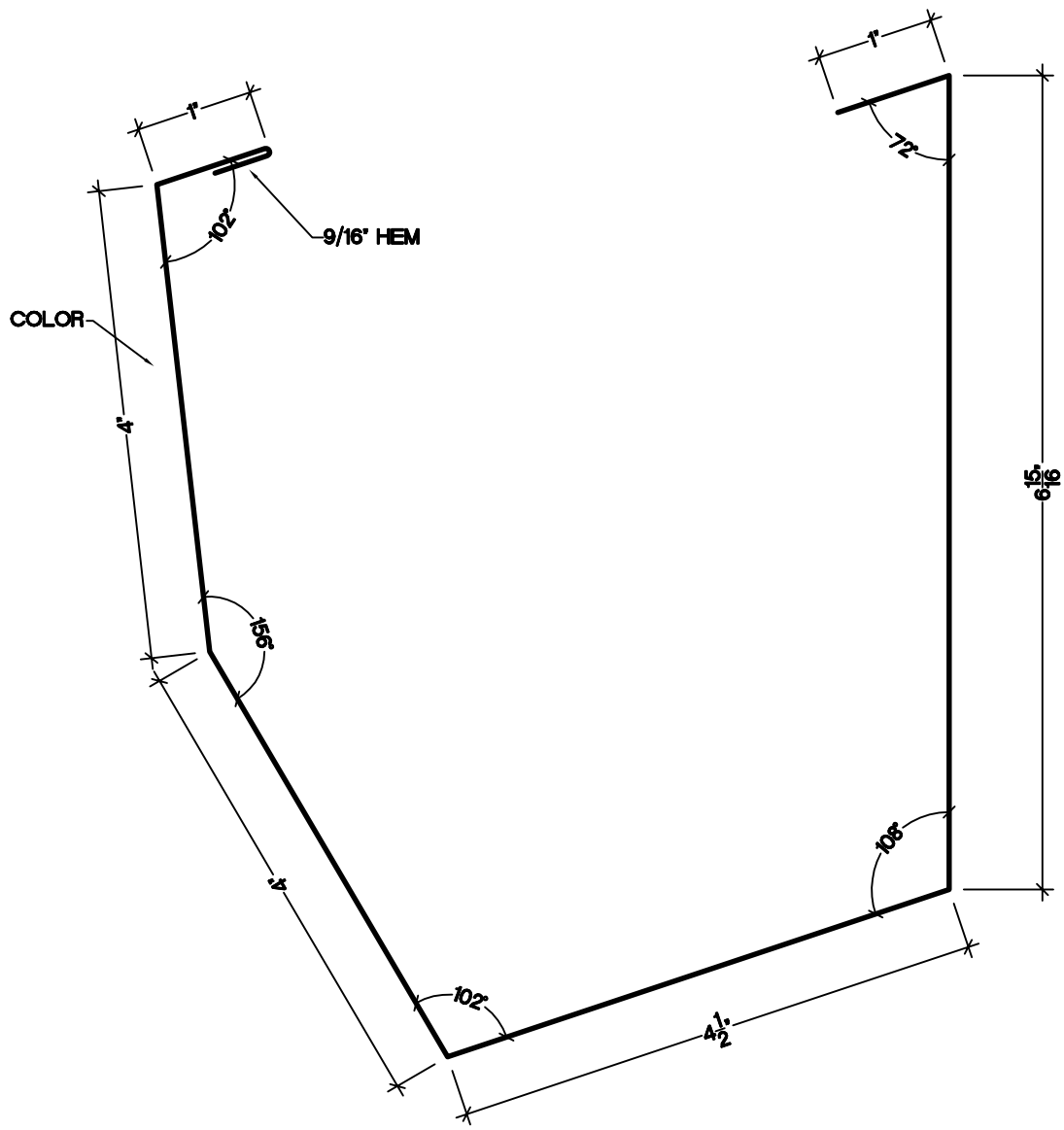
SLIT SIZE- 22'

LENGTHS - 10'-3" OR 20'-3"

NOTES:

1. ALL BENDS ARE 90° OR 45° U.N.O.
2. ALL HEMS ARE 1/2" U.N.O.

GUT 3:12 PITCH



POST-HUNG GUTTER (GUT)

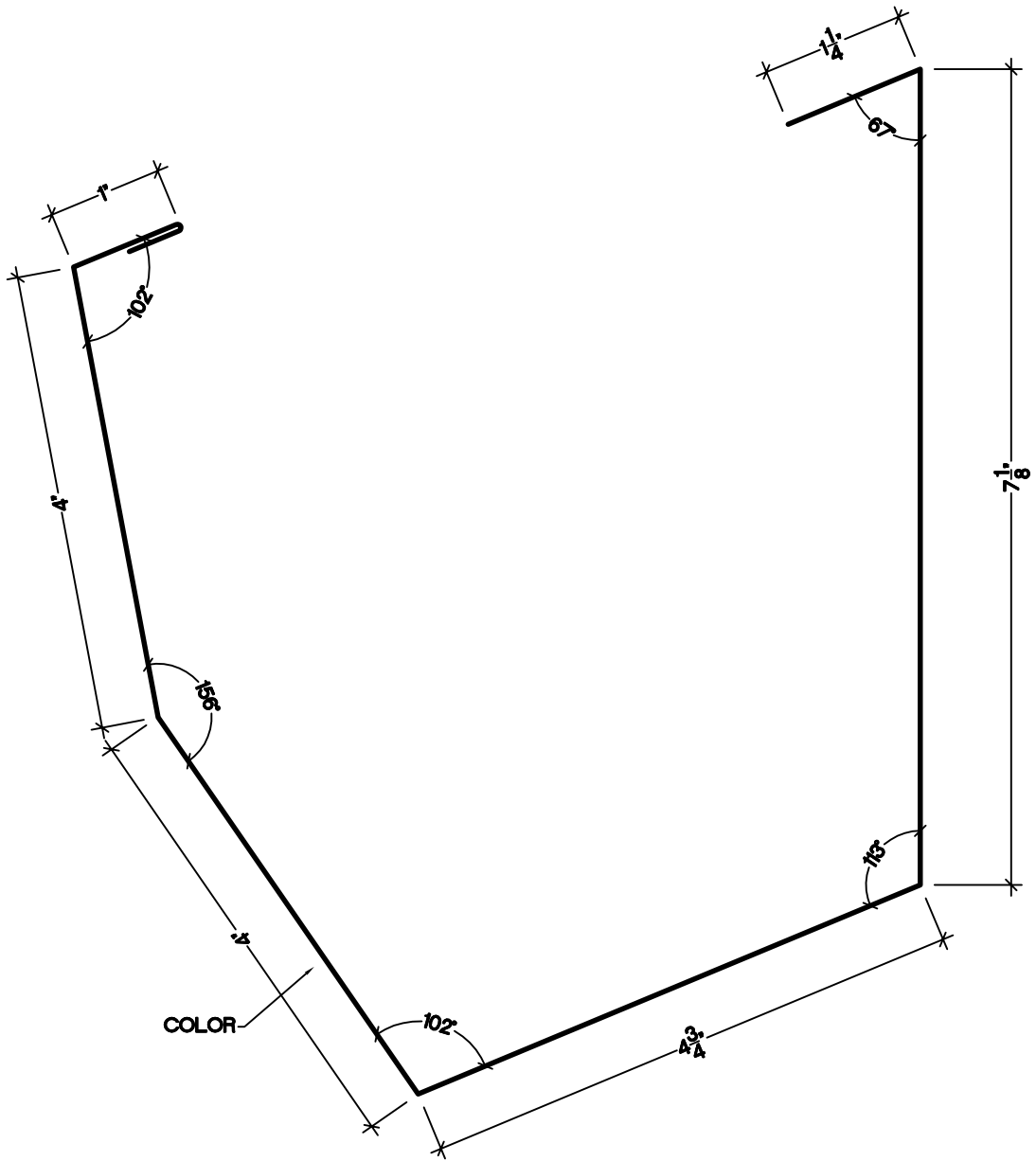
SLIT SIZE- 22'

LENGTHS - 10'-3" OR 20'-3"

NOTES:

1. ALL BENDS ARE 90° OR 45° U.N.O.
2. ALL HEMS ARE 1/2" U.N.O.

GUT 4:12 PITCH



POST-HUNG GUTTER (GUT)

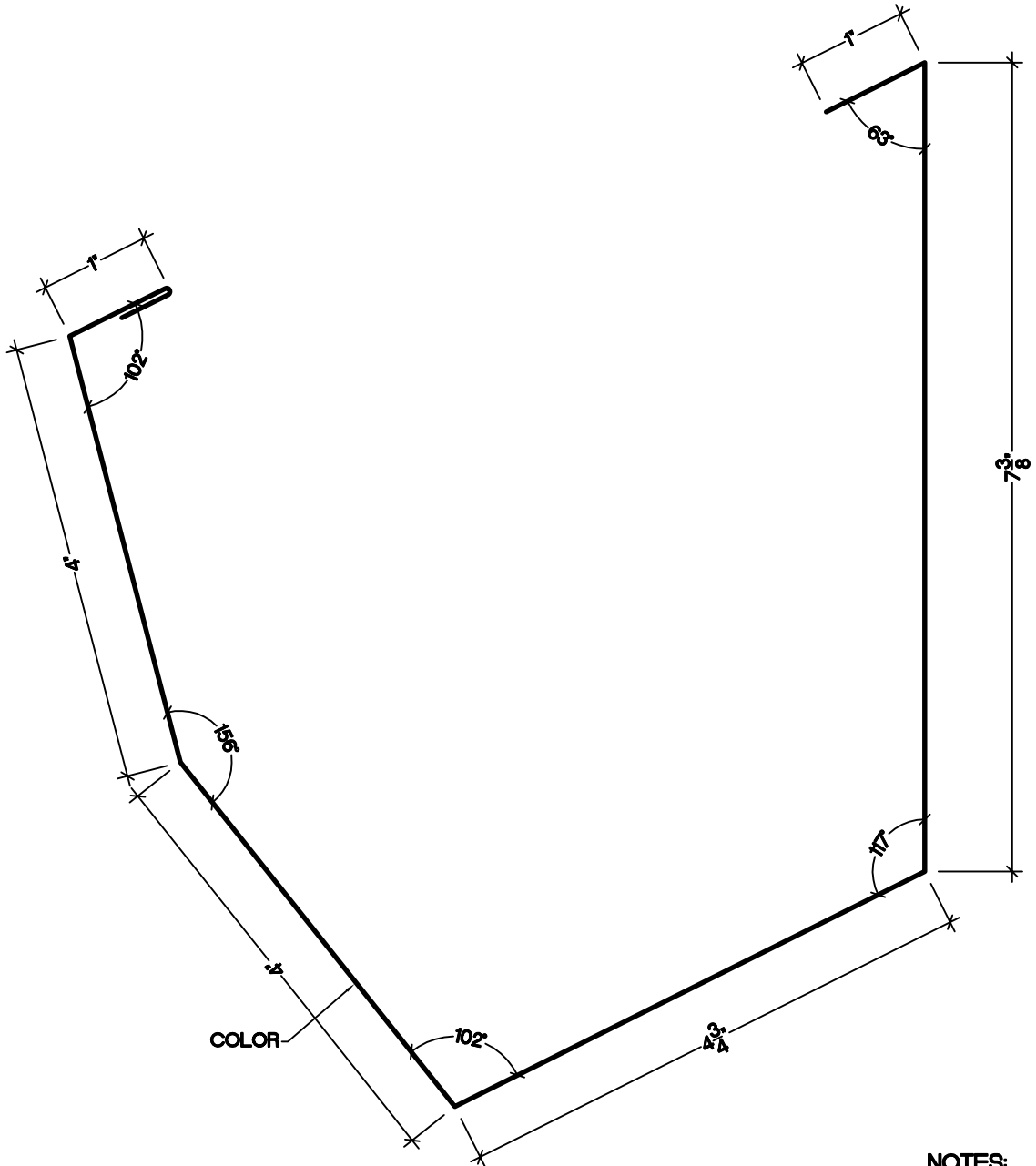
SLIT SIZE- 22 5/8"

LENGTHS - 10'-3" OR 20'-3"

NOTES:

1. ALL BENDS ARE 90° OR 45° U.N.O.
2. ALL HEMS ARE 1/2" U.N.O.

GUT 5:12 PITCH



POST-HUNG GUTTER (GUT)

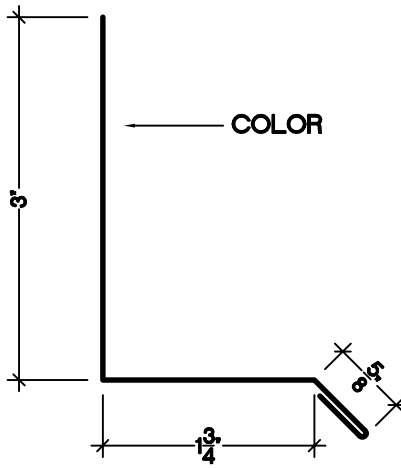
SLIT SIZE- 22 5/8"

LENGTHS - 10'-3" OR 20'-3"

NOTES:

1. ALL BENDS ARE 90° OR 45° U.N.O.
2. ALL HEMS ARE 1/2" U.N.O.

GUT 6:12 PITCH



BASE / DRIP TRIM (HRBD)

SLIT SIZE- 5 7/8"

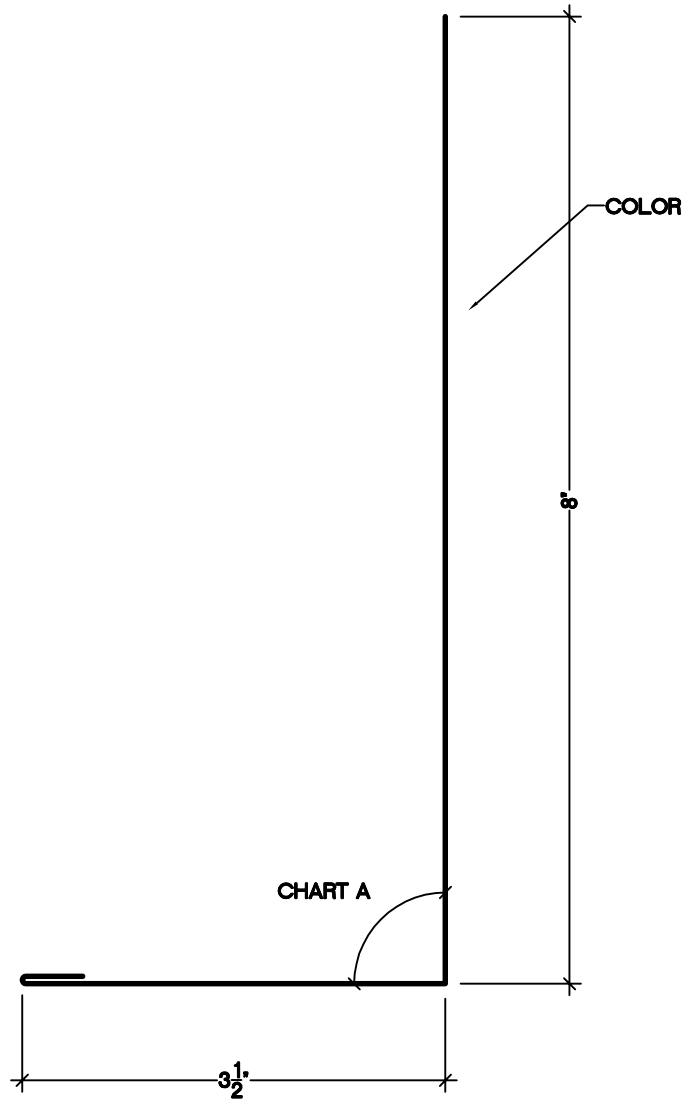
LENGTHS- 10'-3"

NOTES:

1. ALL BENDS ARE 90° OR 45° U.N.O.

2. ALL HEMS ARE 1/2" U.N.O.

HRBD



BYPASS EXTENSION TRIM
(HRBE)

SLIT SIZE- 12'

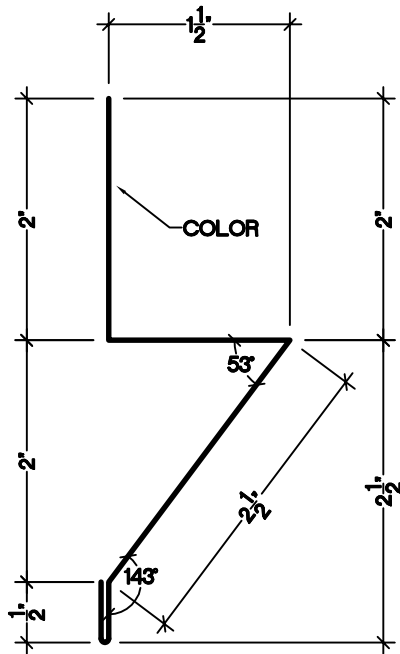
LENGTHS - 10'-3" AND 20'-3"

NOTES:

1. ALL BENDS ARE 90°
OR 45° U.N.O.

2. ALL HEMS ARE 1/2" U.N.O.

CHART A		HRBE	
ROOF PITCH	DEGREES		
1:12	85°		
2:12	81°		
3:12	76°		
4:12	72°		



BASE GUARD (HRBG)

SLIT SIZE- 7"

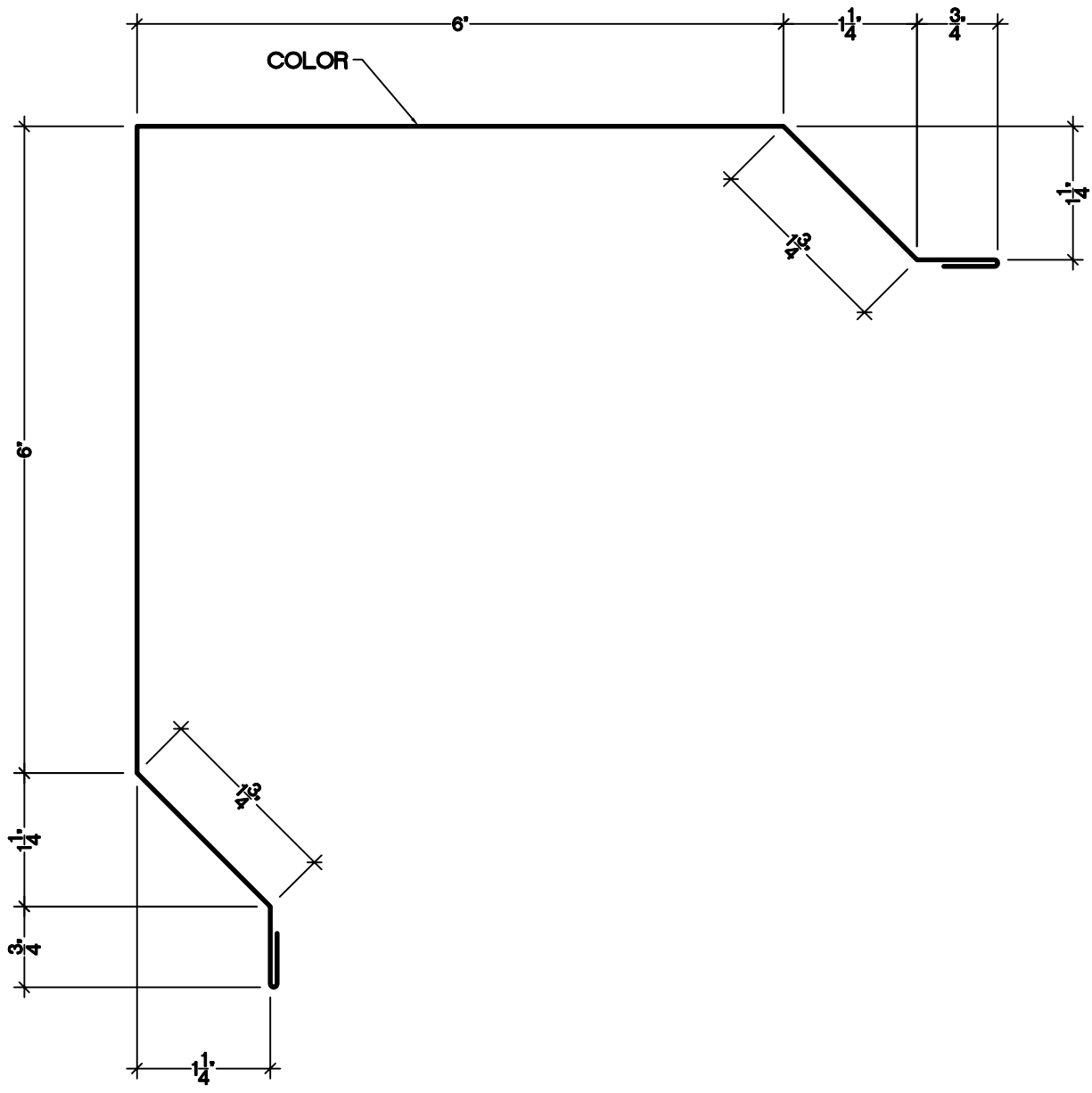
LENGTH - 10'-3"

NOTES:

**1. ALL BENDS ARE 90°
OR 45° U.N.O.**

2. ALL HEMS ARE 1/2" U.N.O.

HRBG



OUTSIDE CORNER / RAKE
(HRCO)

SLIT SIZE- 18°

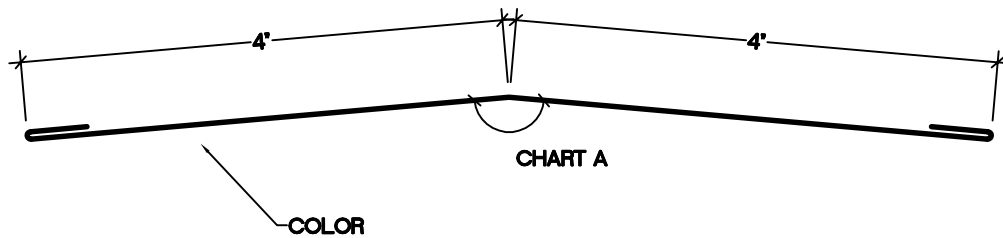
LENGTHS FROM 10'-3" TO 20'-3"

NOTES:

1. ALL BENDS ARE 90°
OR 45° U.N.O.

2. ALL HEMS ARE 1/2" U.N.O.

HRCO



CANOPY SOFFIT TRIM (HRCS)

SLIT SIZE- 9"

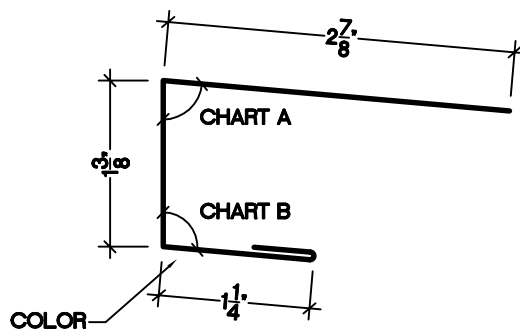
LENGTH - 10'-3"

NOTES:

1. ALL BENDS ARE 90° OR 45° U.N.O.

2. ALL HEMS ARE ½" U.N.O.

CHART A		<h1>HRCS</h1>	
ROOF PITCH	DEGREES		
1:2	17°		
2:12	16°		
3:12	15°		
4:12	14°		



CAP TRIM (HRCT)

SLIT SIZE- 6"

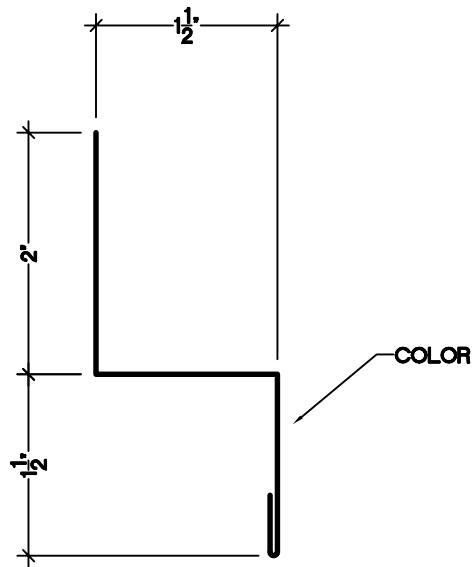
LENGTHS - 10'-3" AND 20'-3"

NOTES:

1. ALL BENDS ARE 90° OR 45° U.N.O.

2. ALL HEMS ARE 1/2" U.N.O.

CHART A		HRCT	CHART B	
ROOF PITCH	DEGREES		ROOF PITCH	DEGREES
1:12	85°		1:12	95°
2:12	81°		2:12	99°
3:12	76°		3:12	104°
4:12	72°	4:12	108°	



DOUBLE ANGLE (HRDA)

SLIT SIZE - 5 1/2"

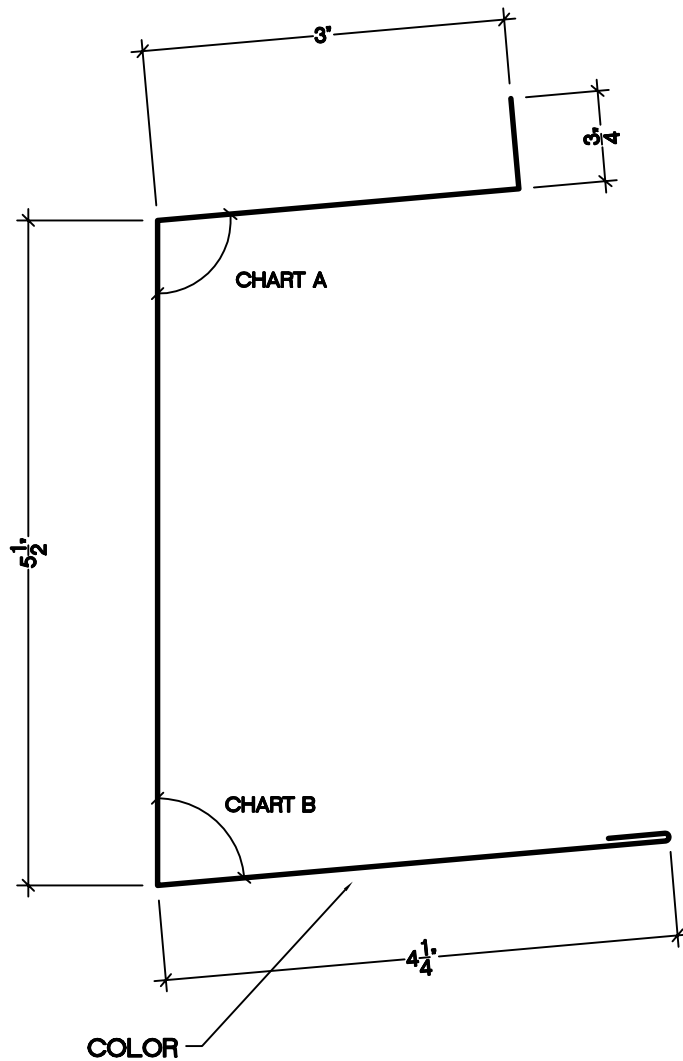
LENGTH - 10'-3"

NOTES:

1. ALL BENDS ARE 90° OR 45° U.N.O.

2. ALL HEMS ARE 1/2" U.N.O.

HRDA



EAVE EXTENSION TRIM (HREE)

(1:12 AND 2:12)

SLIT SIZE- 14"

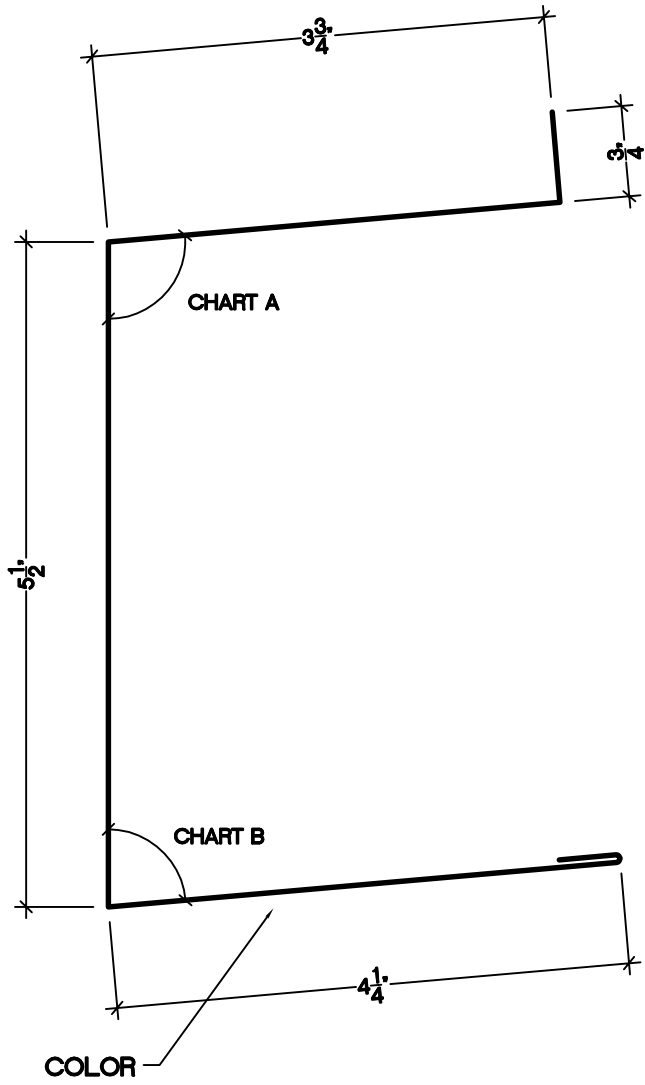
LENGTHS - 10'-3" AND 20'-3"

NOTES:

1. ALL BENDS ARE 90° OR 45° U.N.O.

2. ALL HEMS ARE 1/2" U.N.O.

CHART A		HREE (1:12 AND 2:12)	CHART B	
ROOF PITCH	DEGREES		ROOF PITCH	DEGREES
1:12	95°		1:12	85°
2:12	99°		2:12	81°



EAVE EXTENSION TRIM (HREE)
(3-12 AND 4-12)

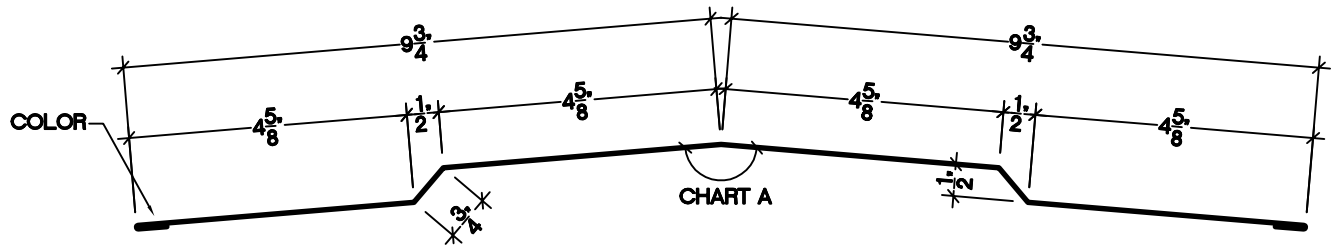
SLIT SIZE - 14 3/8"

LENGTHS - 10'-3" AND 20'-3"

NOTES:

- 1. ALL BENDS ARE 90° OR 45° U.N.O.
- 2. ALL HEMS ARE 1/2" U.N.O.

CHART A		HREE (3-12 AND 4-12)	CHART B	
ROOF PITCH	DEGREES		ROOF PITCH	DEGREES
3-12	104°		3-12	76°
4-12	108°		4-12	72°



RIDGE CAP TRIM (HRERC)

SLIT SIZE - 2"

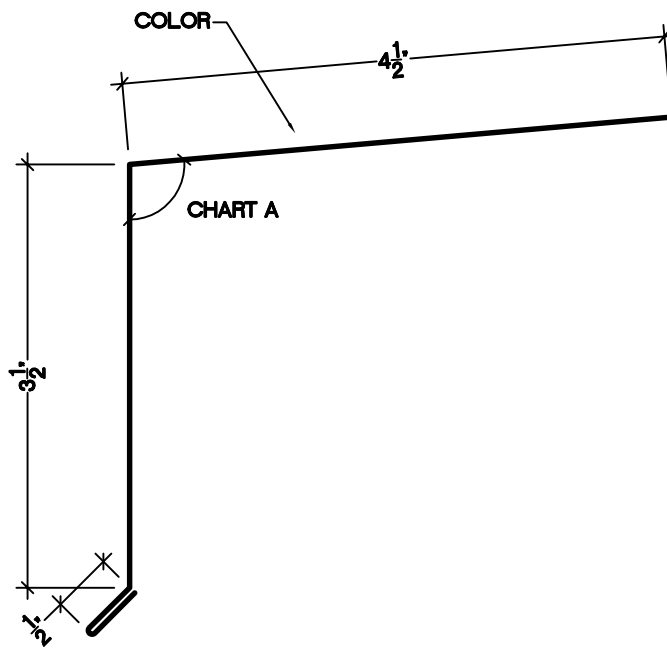
LENGTH - 10'-3"

NOTES:

1. ALL BENDS ARE 90° OR 45° U.N.O.

2. ALL HEMS ARE $\frac{1}{2}$ " U.N.O.

CHART A		<h1>HRERC</h1>	
ROOF PITCH	DEGREES		
1:2	17°		
2:12	16°		
3:12	15°		
4:12	14°		



SIMPLE EAVE (HRET)

SLIT SIZE- 9"

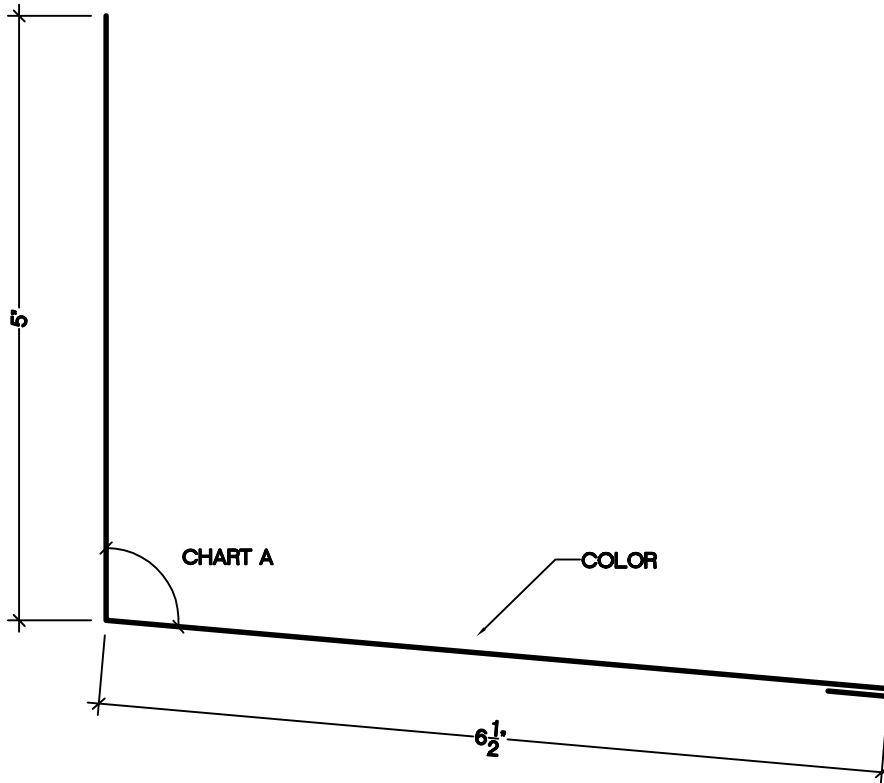
LENGTHS - 10'-3"

NOTES:

1. ALL BENDS ARE 90° OR 45° U.N.O.

2. ALL HEMS ARE 1/2" U.N.O.

CHART A		<h1>HRET</h1>	
ROOF PITCH	DEGREES		
1:2	95°		
2:2	99°		
3:2	104°		
4:2	108°		



ENDWALL TRIM (HREW)

SLIT SIZE- 12"

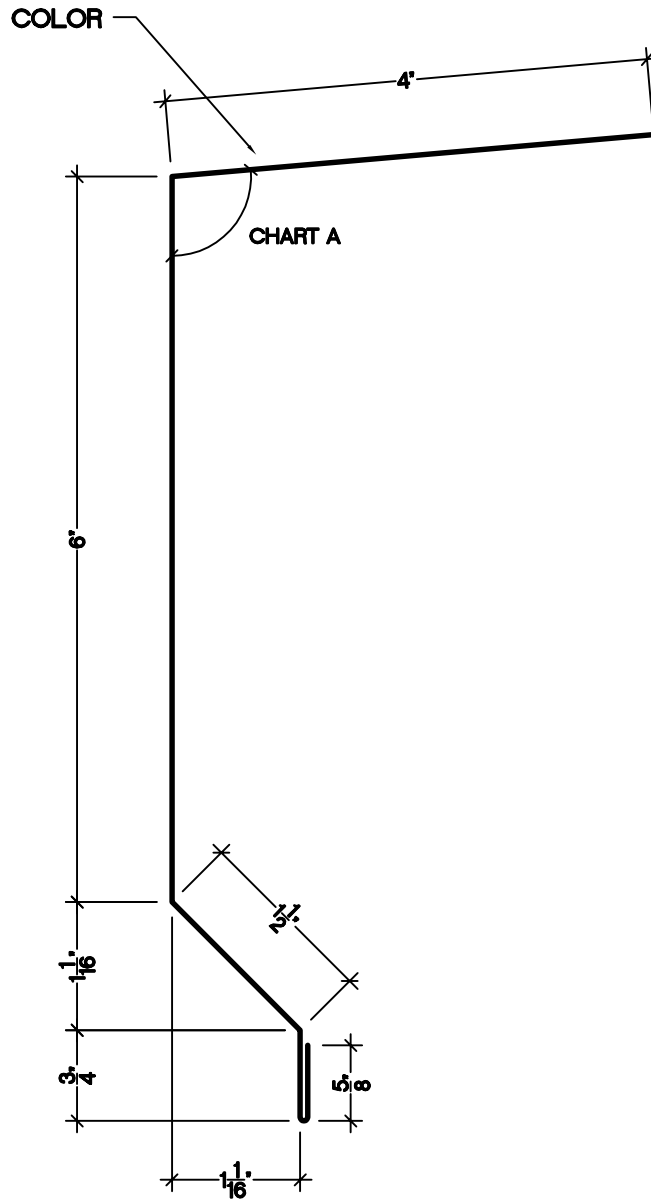
LENGTHS - 10'-3"

NOTES:

1. ALL BENDS ARE 90° OR 45° U.N.O.

2. ALL HEMS ARE 1/2" U.N.O.

CHART A		HREW	
ROOF PITCH	DEGREES		
1:12	95°		
2:12	99°		
3:12	104°		
4:12	108°		



FASCIA TRIM (HRFT)

SLIT SIZE - $12\frac{7}{8}$ "

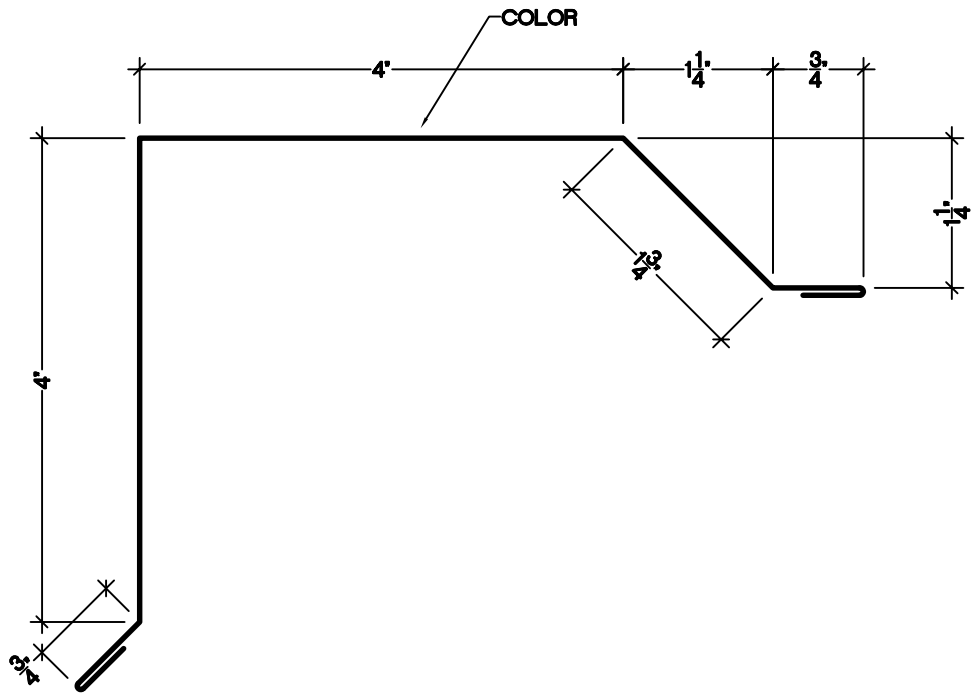
LENGTHS - 10'-3"

NOTES:

1. ALL BENDS ARE 90° OR 45° U.N.O.

2. ALL HEMS ARE $\frac{1}{2}$ " U.N.O.

CHART A		HRFT
ROOF PITCH	DEGREES	
1:2	95°	
2:2	99°	
3:2	104°	
4:2	108°	



GABLE TRIM (HRGA)

SLIT SIZE- 12 1/4"

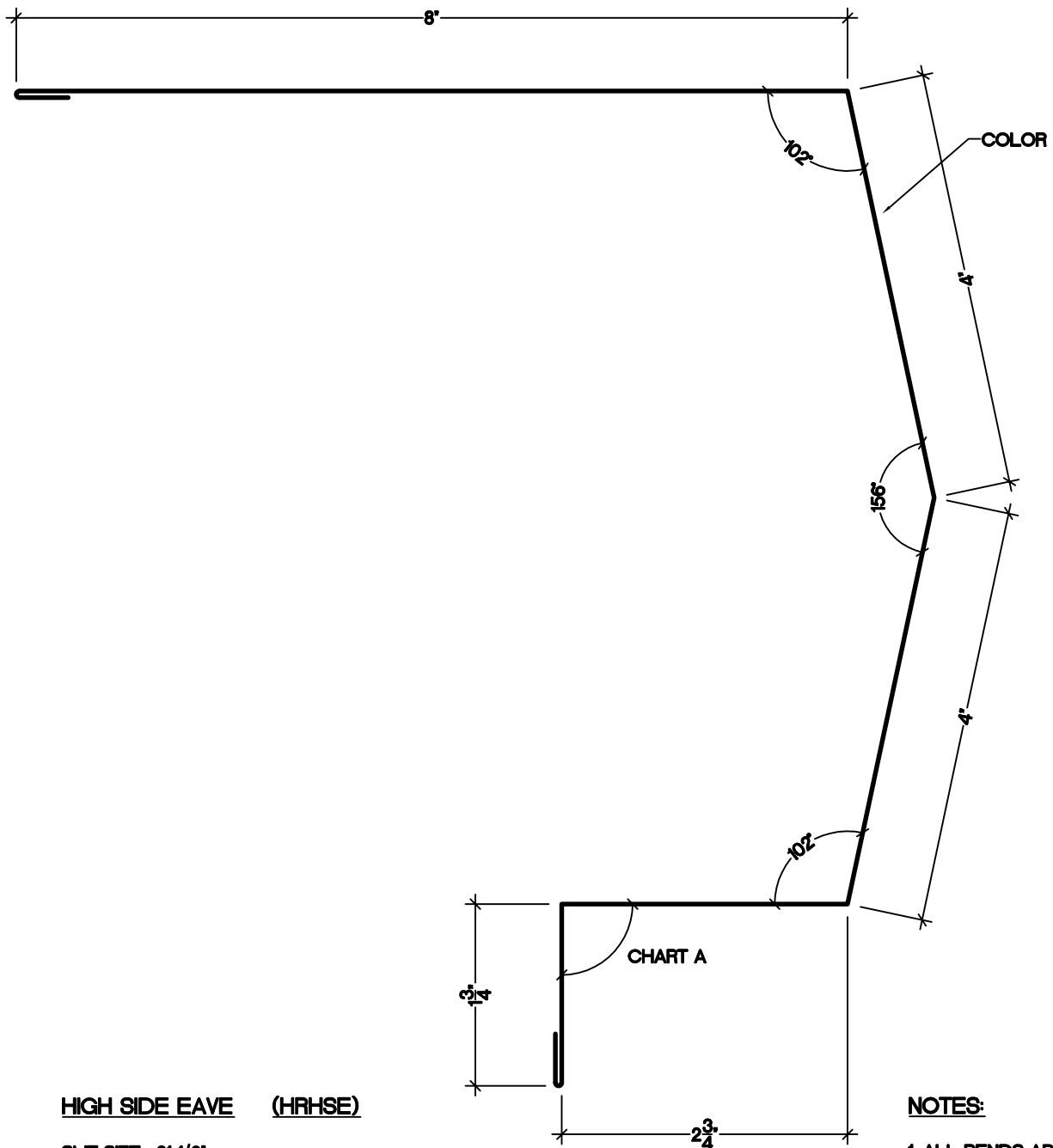
LENGTHS - 10'-3" AND 20'-3"

NOTES:

1. ALL BENDS ARE 90° OR 45° U.N.O.

2. ALL HEMS ARE 1/2" U.N.O.

HRGA



HIGH SIDE EAVE (HRHSE)

SLIT SIZE- 21 1/2"

LENGTH- 10'-3"

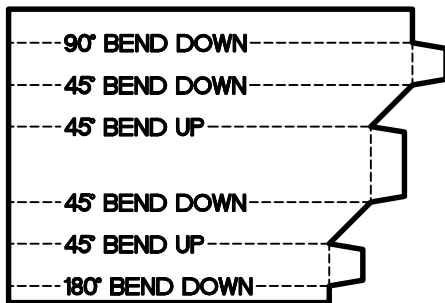
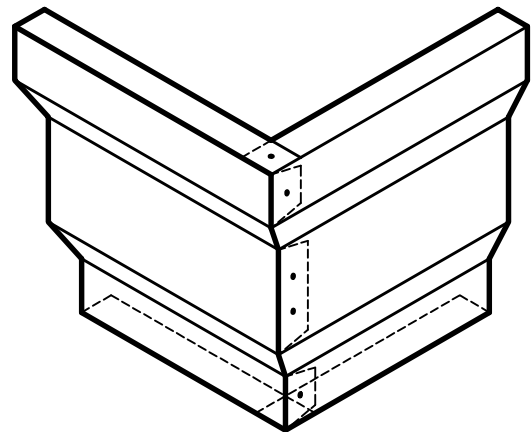
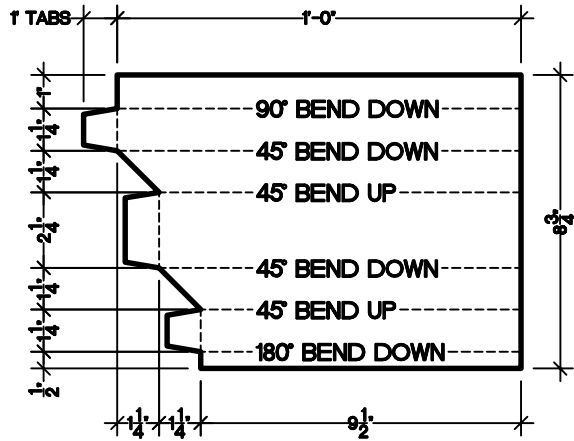
NOTES:

1. ALL BENDS ARE 90° OR 45° U.N.O.

2. ALL HEMS ARE 1/2" U.N.O.

CHART A	
ROOF PITCH	DEGREES
1:2	95°
2:2	99°
3:2	104°
4:2	108°

HRHSE



SHADOW CORNER BOX (HRSHC)

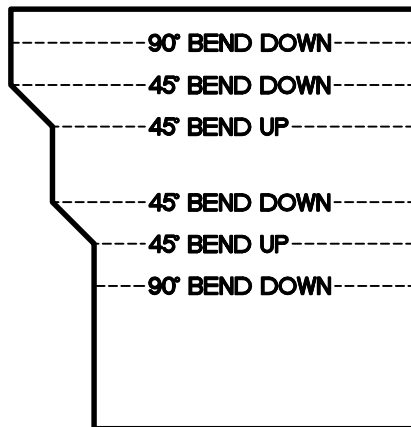
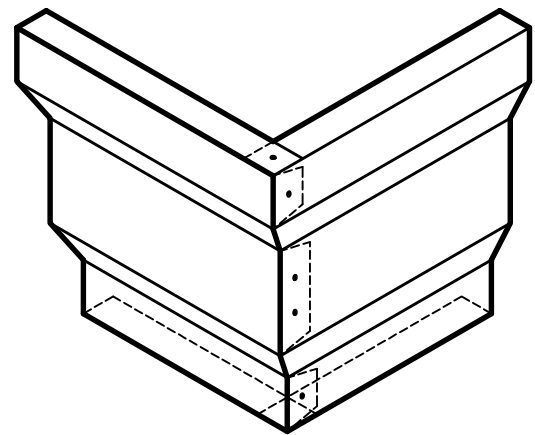
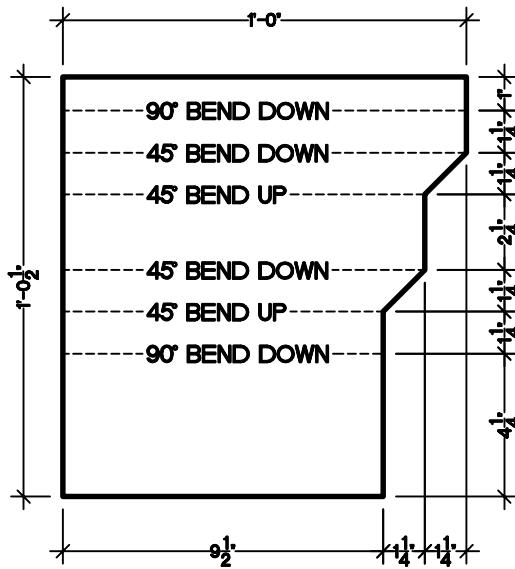
SLIT SIZE- 10'

NOTES:

1. ALL BENDS ARE 90° OR 45° U.N.O.

2. ALL HEMS ARE 1/2" U.N.O.

**HRSHC 1:12 - 4:12 PITCH
SHADOW CORNER
RAKE SIDE**



SHADOW CORNER BOX (HRSHC)

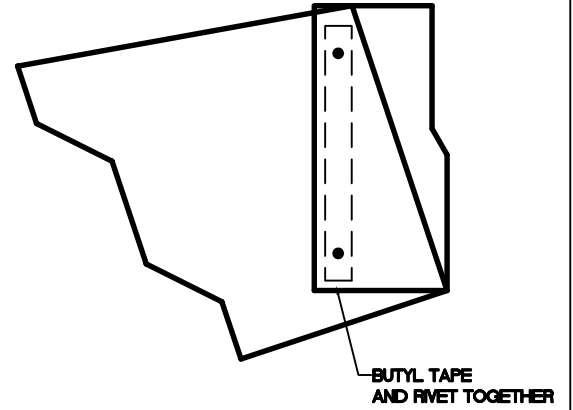
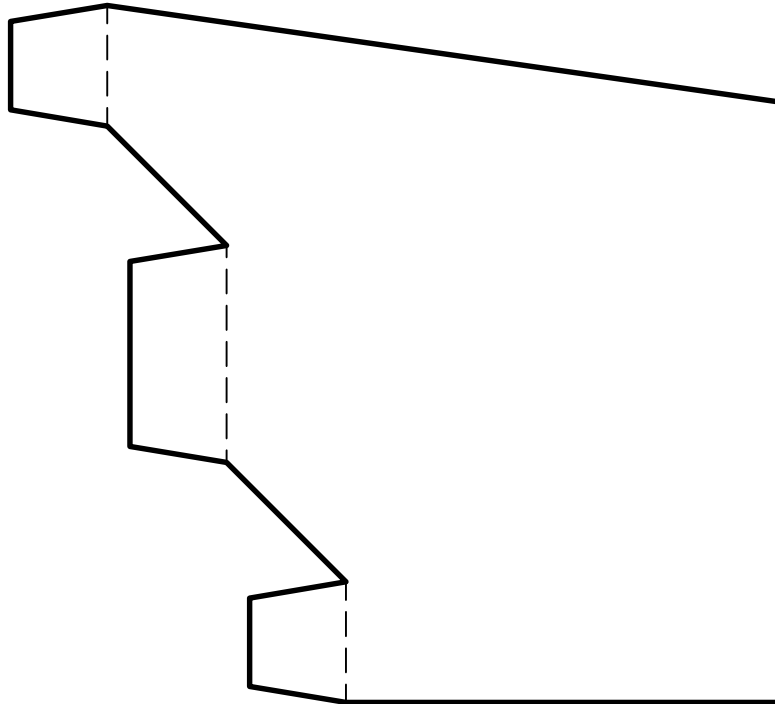
SLIT SIZE- 13 1/4"

NOTES:

1. ALL BENDS ARE 90° OR 45° U.N.O.

2. ALL HEMS ARE 1/2" U.N.O.

**HRSHC 1:12 - 4:12 PITCH
SHADOW CORNER
GUTTER SIDE**

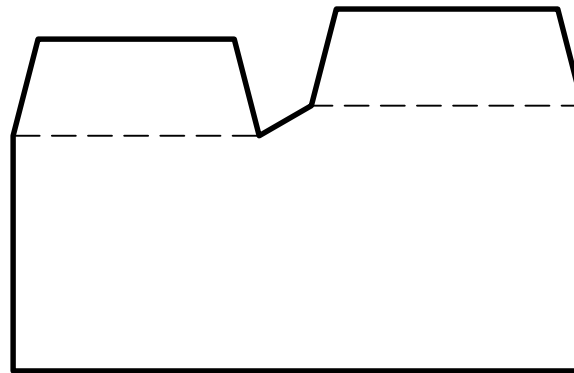


GUTTER END CAP (HRSHE)

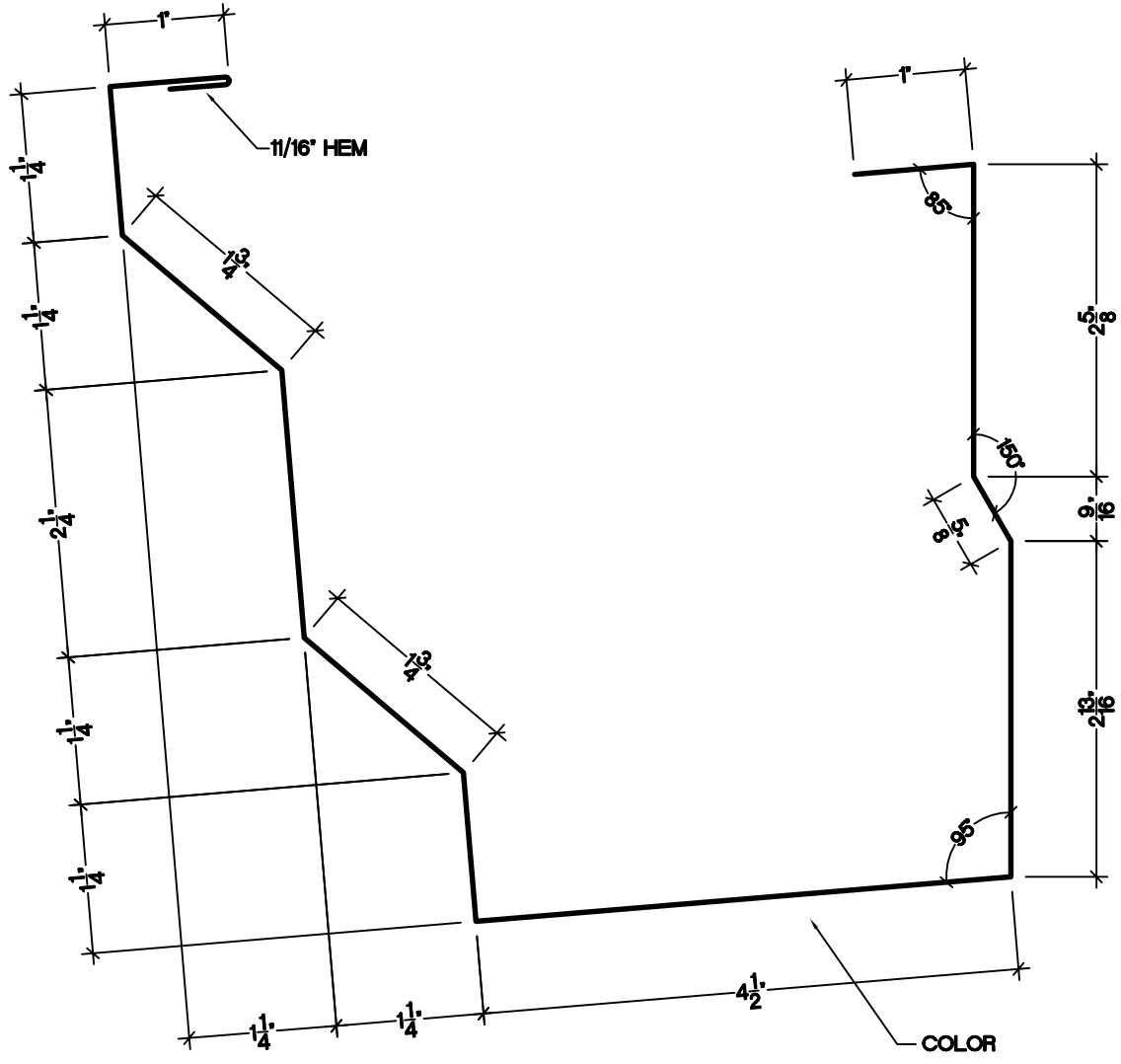
SLIT SIZE- 8"

NOTES:

1. ALL BENDS ARE 90° U.N.O.



**HRSHE
SHADOW GUTTER
END CAPS**



SHADOW GUTTER (HRSHG)

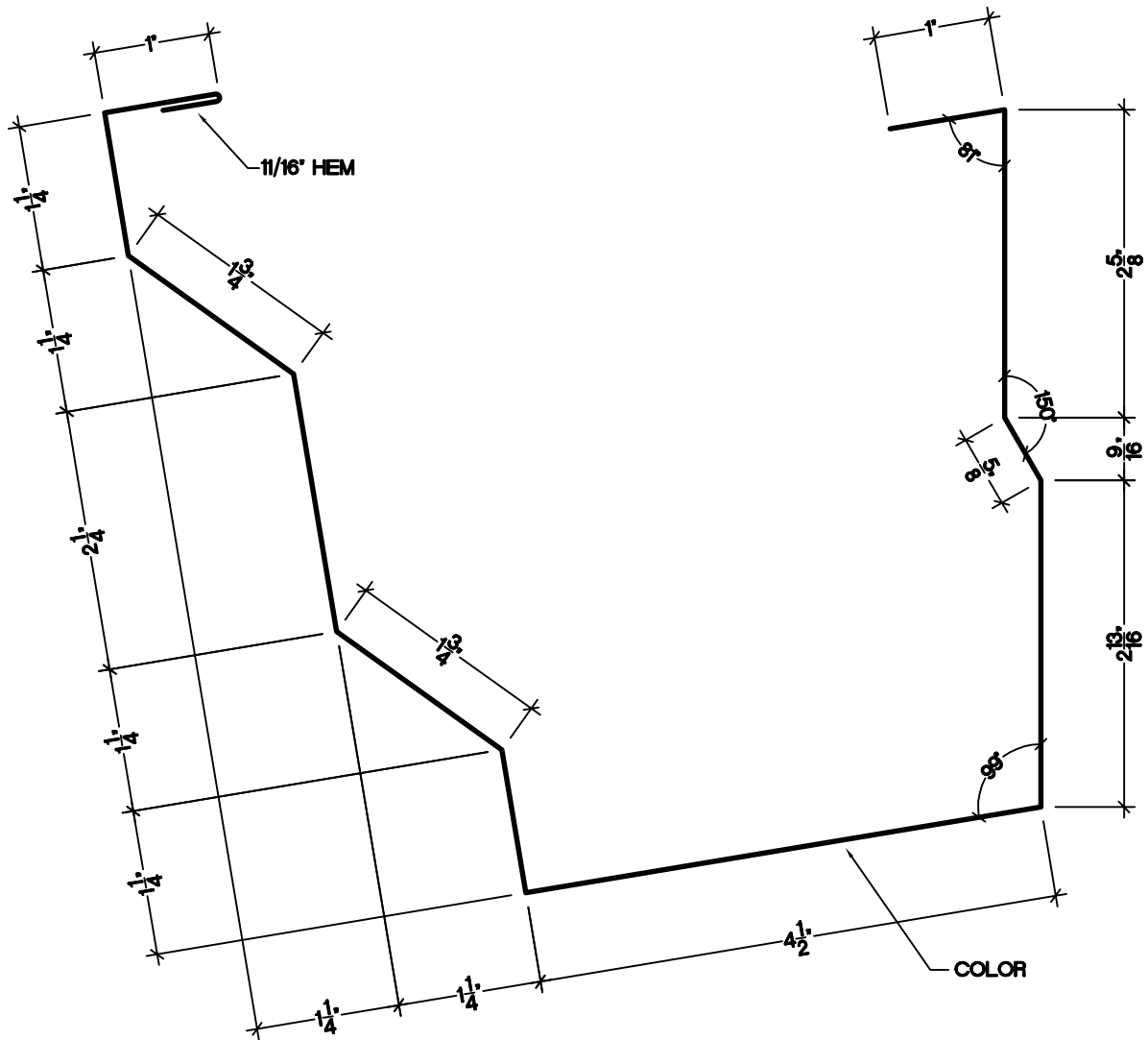
SLIT SIZE- 21 1/2"

LENGTHS - 10'-3" OR 20'-3"

NOTES:

- 1. ALL BENDS ARE 90° OR 45° U.N.O.
- 2. ALL HEMS ARE 1/2" U.N.O.

HRSHG 1:12 PITCH



SHADOW GUTTER (HRSHG)

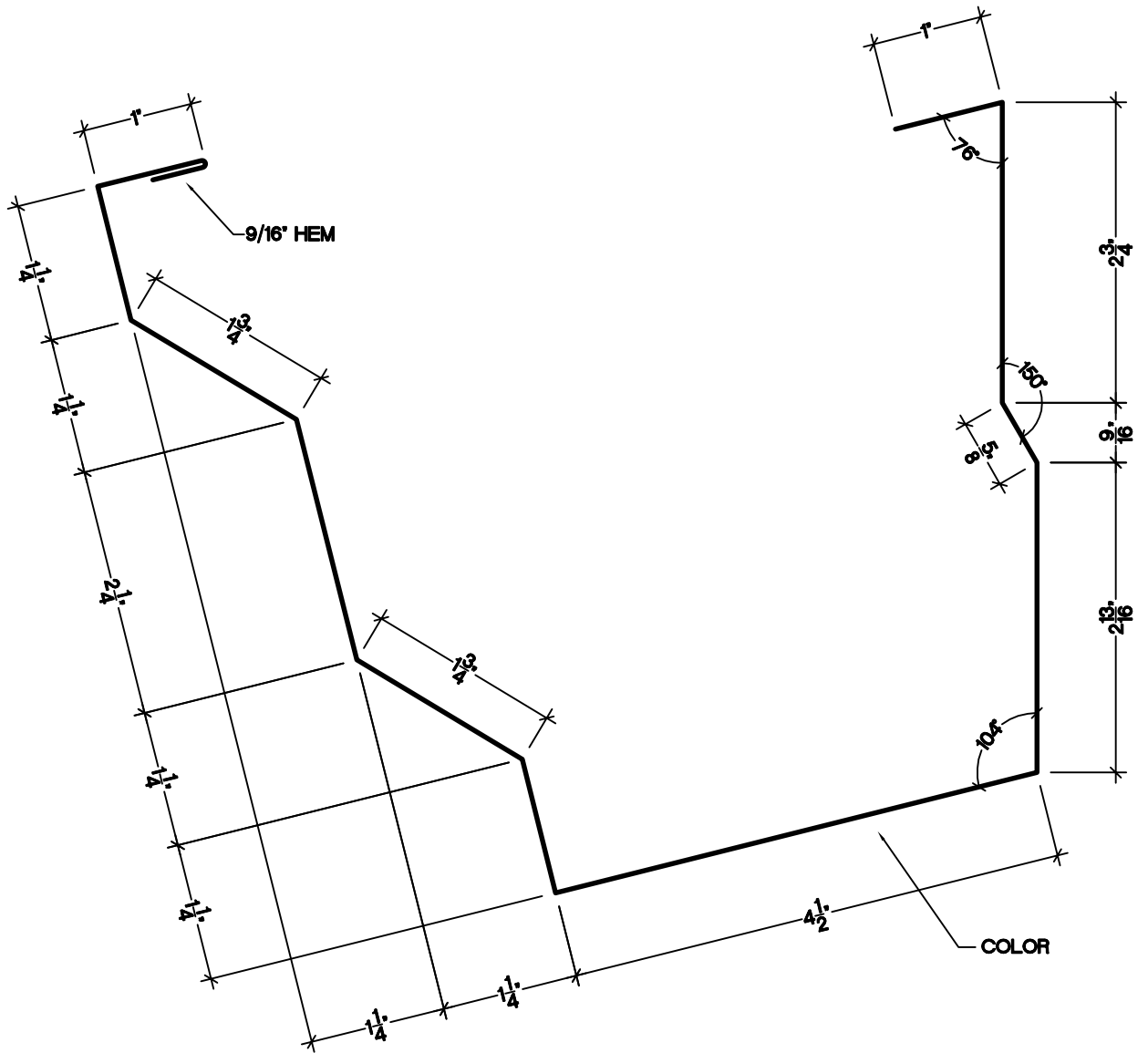
SLIT SIZE- 21 1/2"

LENGTHS - 10'-3" OR 20'-3"

NOTES:

1. ALL BENDS ARE 90° OR 45° U.N.O.
2. ALL HEMS ARE 1/2" U.N.O.

HRSHG 2:12 PITCH



SHADOW GUTTER (HRSHG)

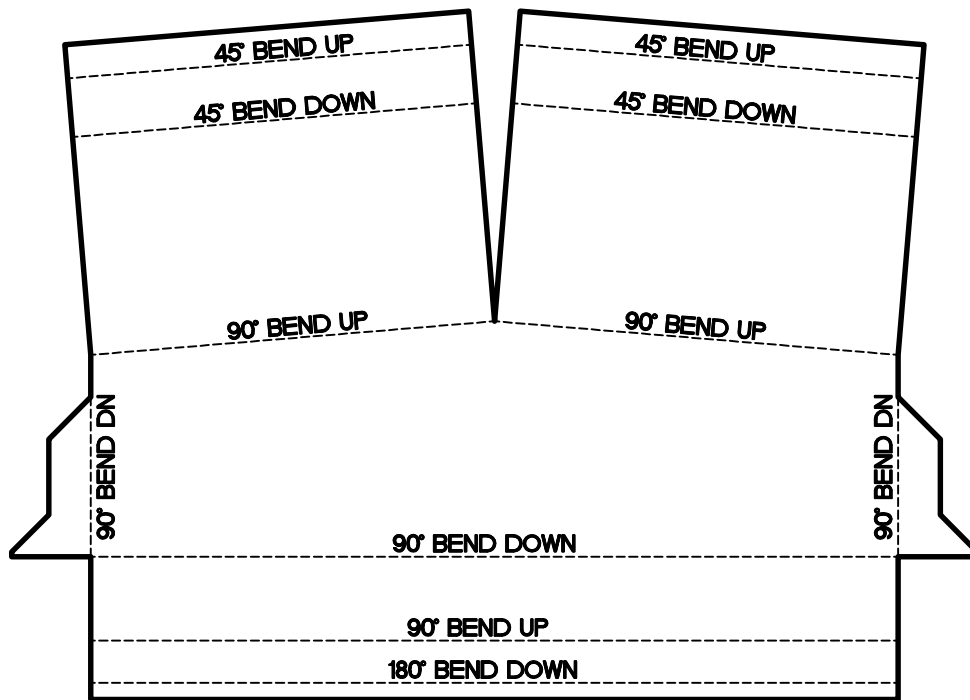
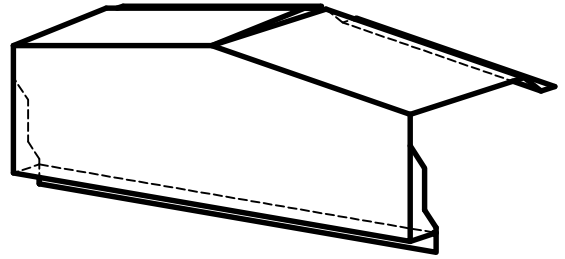
SLIT SIZE- $21 1/2"$

LENGTHS - $10'-3"$ OR $20'-3"$

NOTES:

1. ALL BENDS ARE 90° OR 45° U.N.O.
2. ALL HEMS ARE $1/2"$ U.N.O.

HRSHG 3:12 PITCH



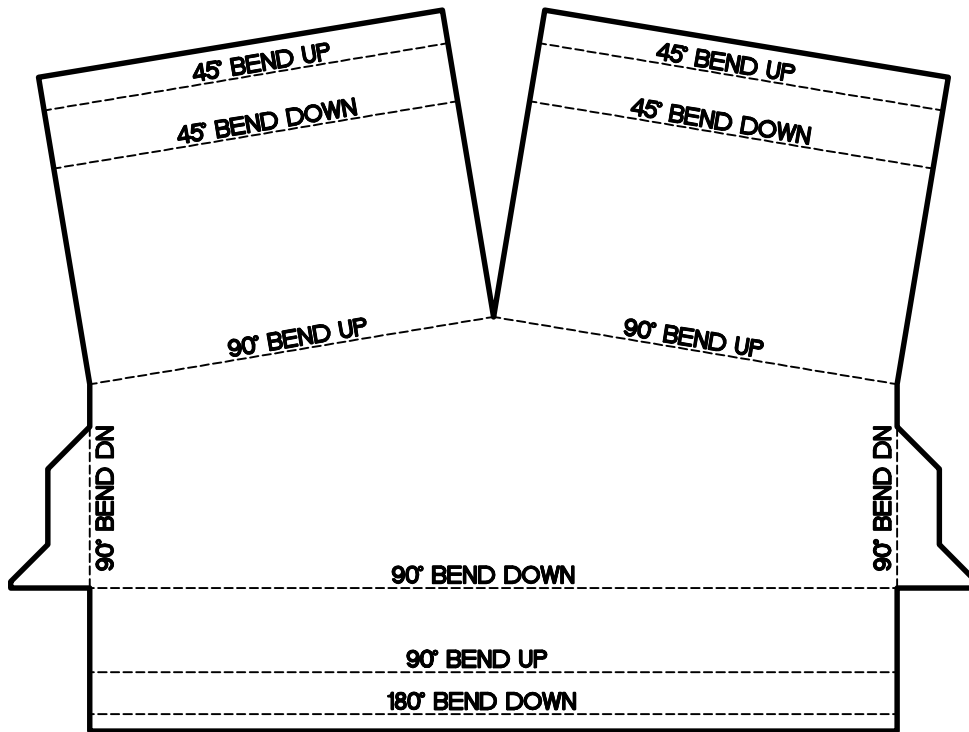
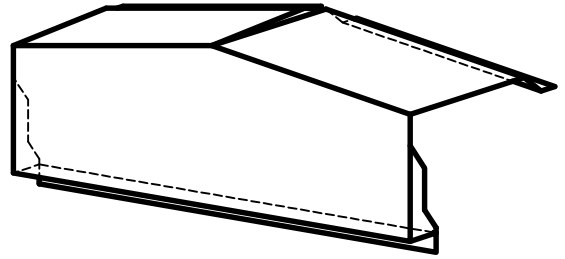
SHADOW PEAK BOX (HRSHP)

SLIT SIZE- 28 11/16"

NOTES:

1. ALL BENDS ARE 90° OR 45° U.N.O.
2. ALL HEMS ARE 1/2" U.N.O.

HRSHP 1:12 PEAK BOX



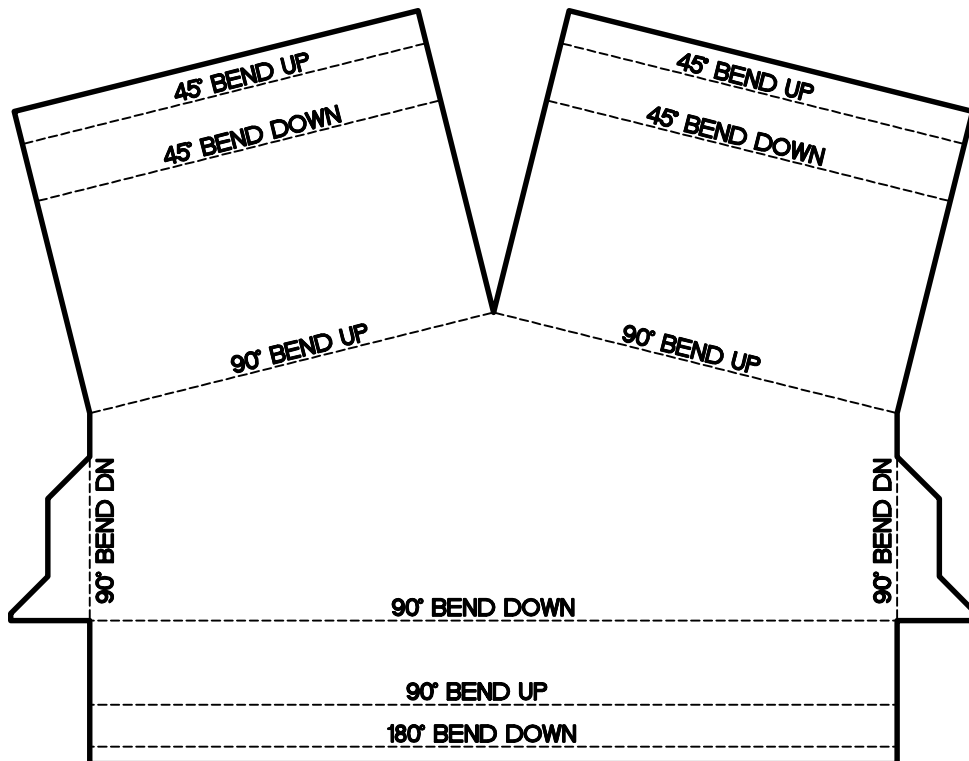
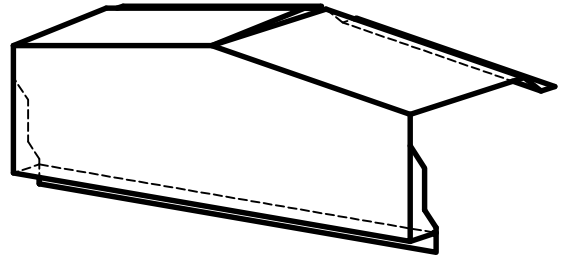
SHADOW PEAK BOX (HRSHP)

SLIT SIZE- 28 11/16"

NOTES:

1. ALL BENDS ARE 90° OR 45° U.N.O.
2. ALL HEMS ARE 1/2" U.N.O.

HRSHP 2:12 PEAK BOX



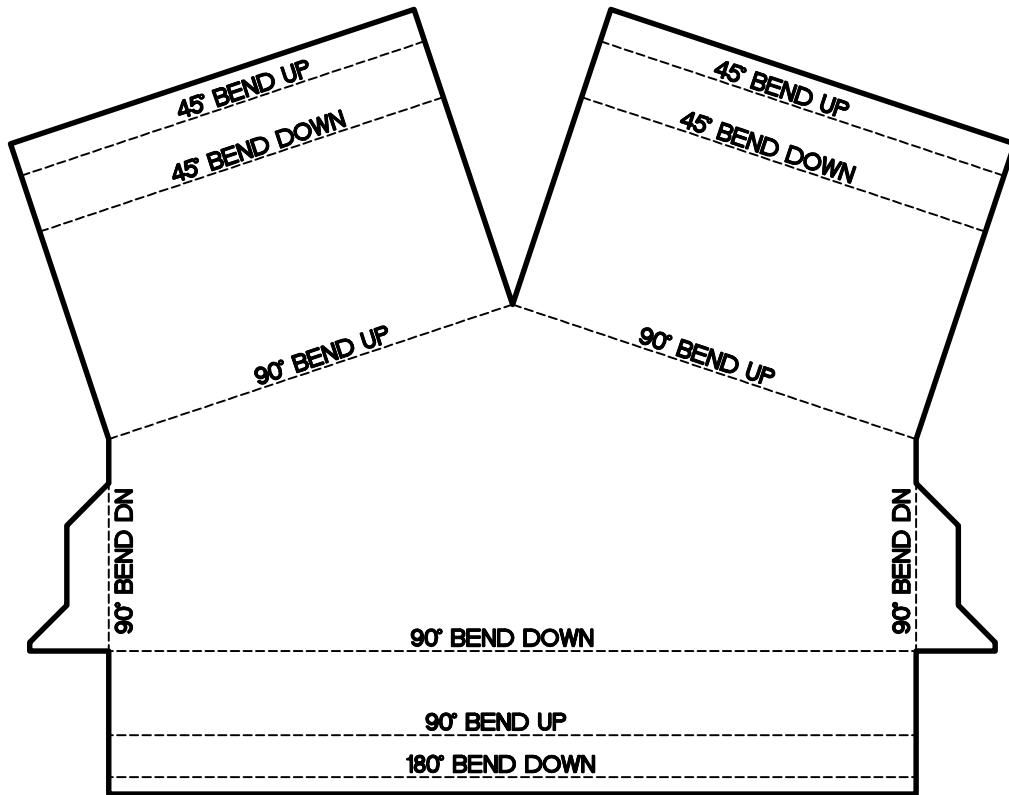
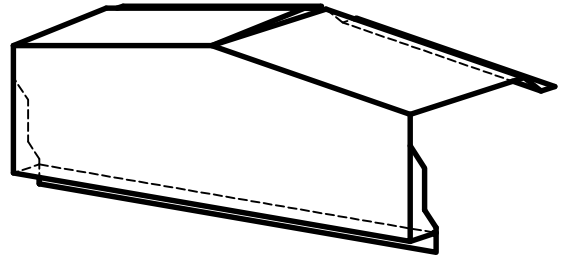
SHADOW PEAK BOX (HRSHP)

SLIT SIZE- 28 11/16"

NOTES:

1. ALL BENDS ARE 90° OR 45° U.N.O.
2. ALL HEMS ARE 1/2" U.N.O.

HRSHP 3:12 PEAK BOX



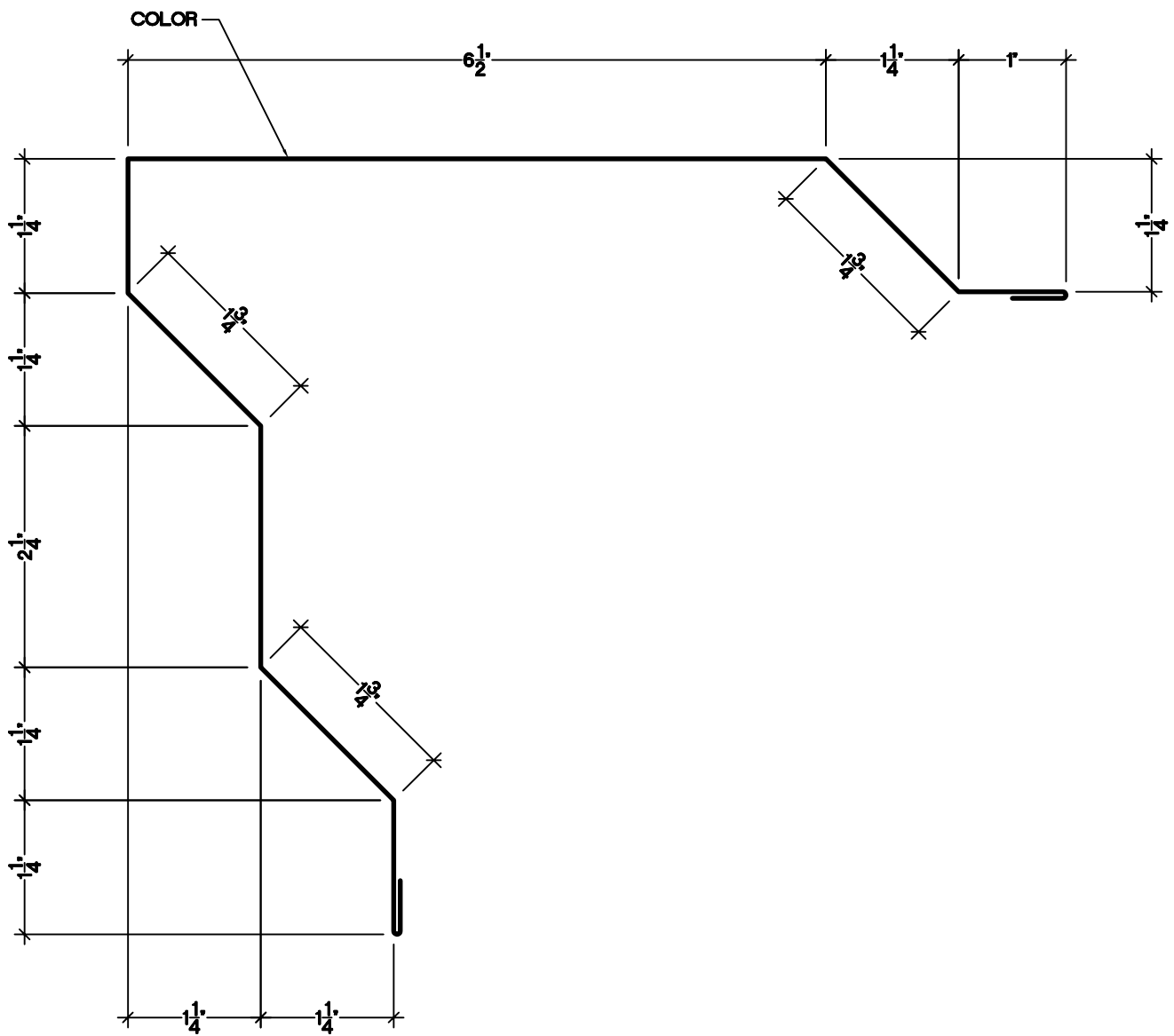
SHADOW PEAK BOX (HRSHP)

SLIT SIZE- 28 11/16"

NOTES:

1. ALL BENDS ARE 90° OR 45° U.N.O.
2. ALL HEMS ARE 1/2" U.N.O.

HRSHP 4:12 PEAK BOX



SHADOW RAKE (HRSHR)

SLIT SIZE- 18 1/2"

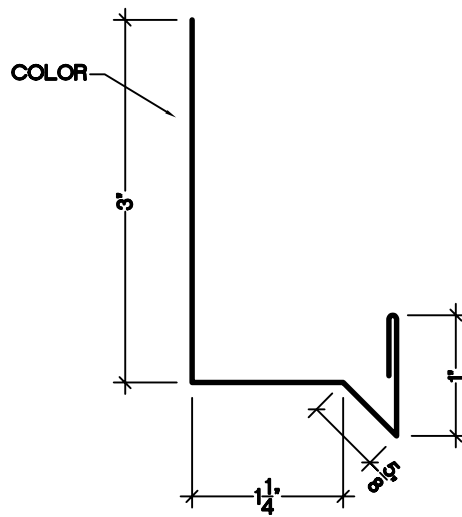
LENGTHS FROM 10'-3" TO 20'-3"

NOTES:

1. ALL BENDS ARE 90° OR 45° U.N.O.

2. ALL HEMS ARE 1/2" U.N.O.

HRSHR



HEAD TRIM W/DRIP (HRHTD)

SLIT SIZE- $6\frac{3}{8}$ "

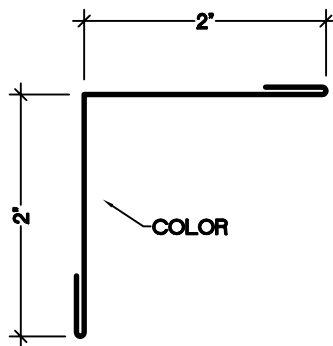
LENGTHS AT 3'-6", 7'-3", AND 10'-3"

NOTES:

1. ALL BENDS ARE 90° OR 45° U.N.O.

2. ALL HEMS ARE $\frac{1}{2}$ " U.N.O.

HRHTD



INSIDE ANGLE (2'X2') (HRIA2)

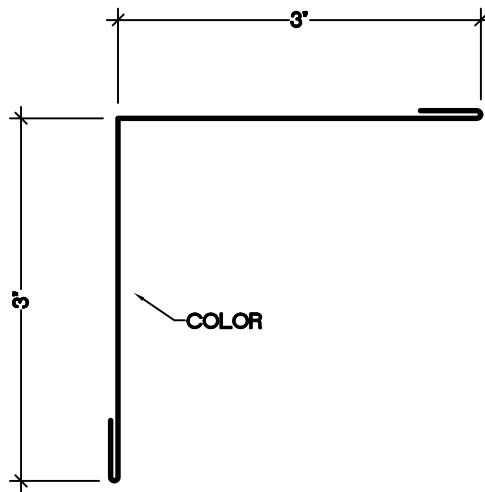
SLIT SIZE- 5'

LENGTH - 10'-3"

NOTES:

1. ALL BENDS ARE 90° OR 45° U.N.O.
2. ALL HEMS ARE ½" U.N.O.

HRIA2



INSIDE ANGLE (3'X3') (HRIA3)

SLIT SIZE- 7"

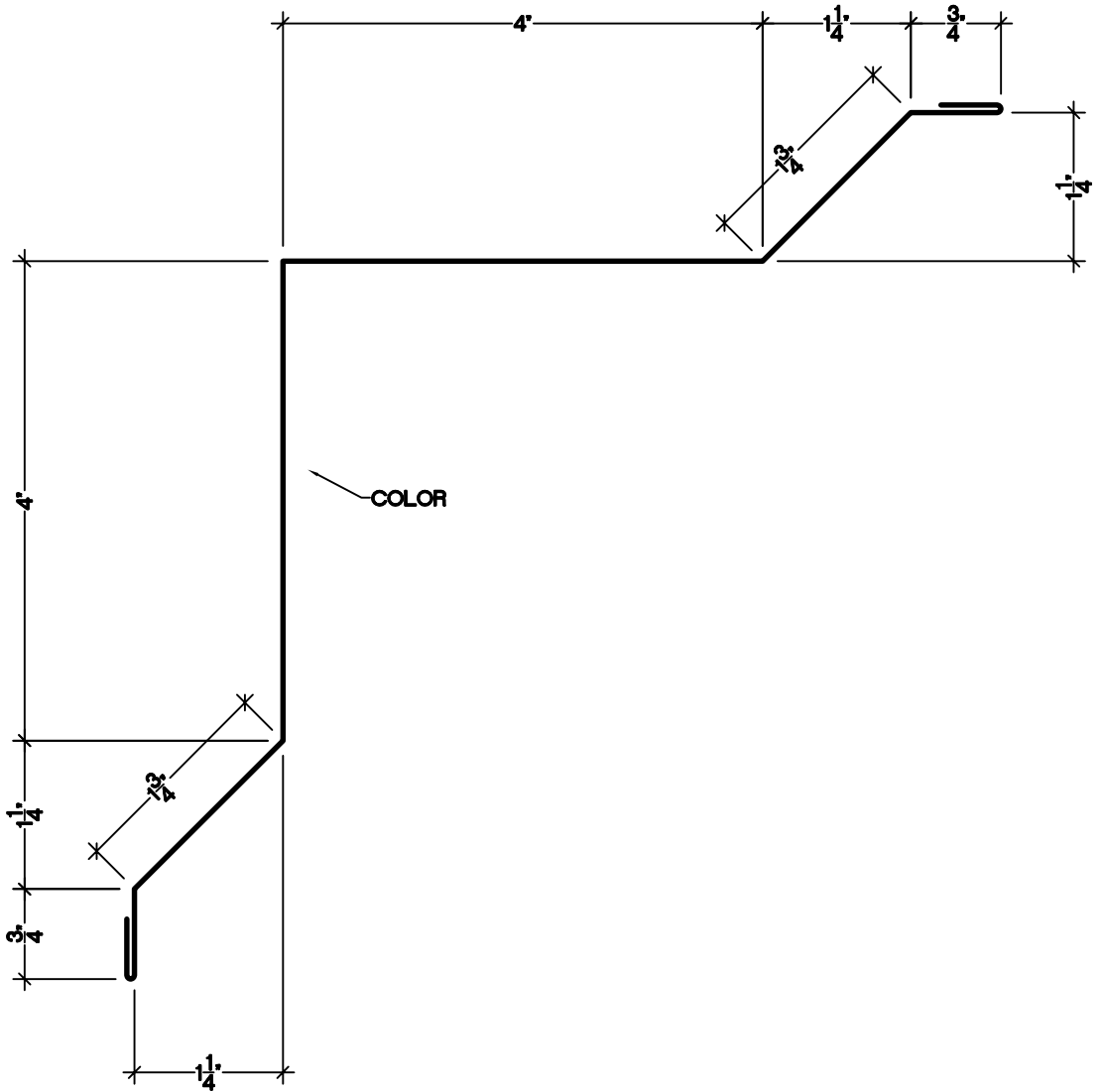
LENGTH - 10'-3"

NOTES:

**1. ALL BENDS ARE 90°
OR 45° U.N.O.**

2. ALL HEMS ARE ½" U.N.O.

HRIA3



INSIDE CORNER (HRIC)

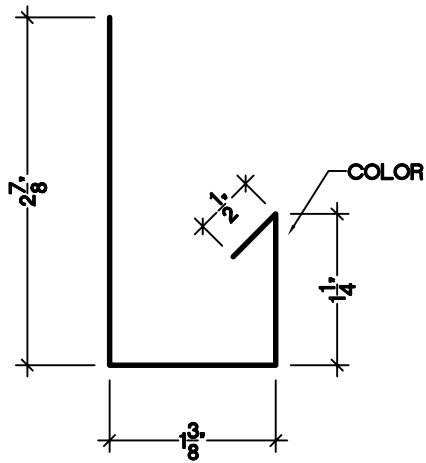
SLIT SIZE - 14"

LENGTH - 10'-3"

NOTES:

1. ALL BENDS ARE 90° OR 45° U.N.O.
2. ALL HEMS ARE 1/2" U.N.O.

HRIC



JAMB TRIM (HRJA)

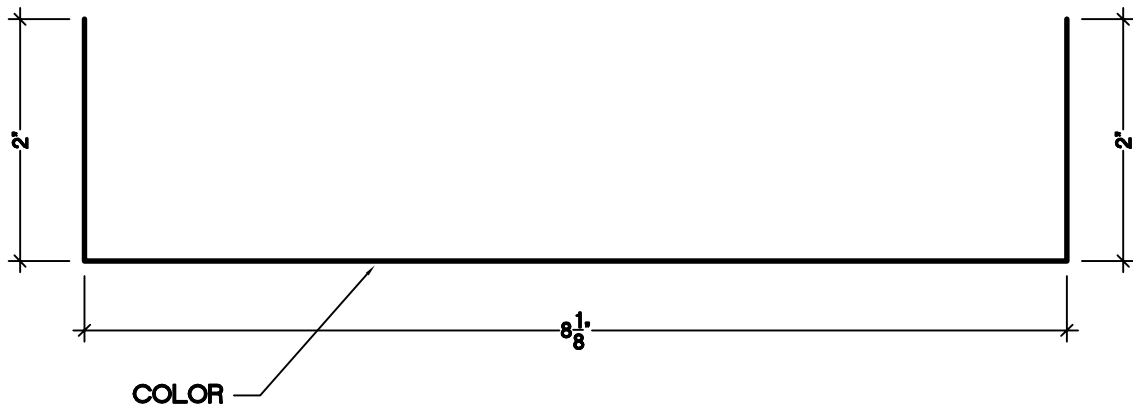
SLIT SIZE- 6"

LENGTHS FROM 7'-3" TO 20'-3"

NOTES:

1. ALL BENDS ARE 90° OR 45° U.N.O.
2. ALL HEMS ARE 1/2" U.N.O.

HRJA



JAMB HEADER (HRJH)

SLIT SIZE- 12 1/8"

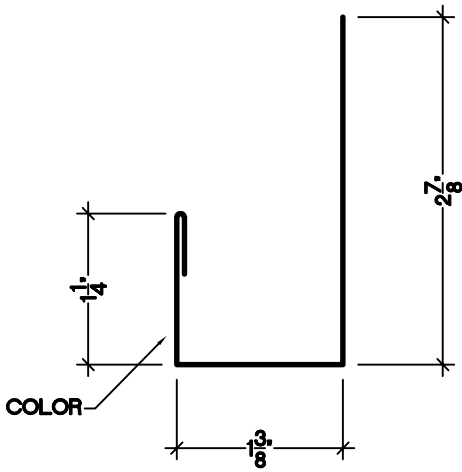
LENGTHS FROM 10'-3" TO 20'-3"

NOTES:

1. ALL BENDS ARE 90° OR 45° U.N.O.

2. ALL HEMS ARE 1/2" U.N.O.

HRJH



HEAD TRIM (HRJT)

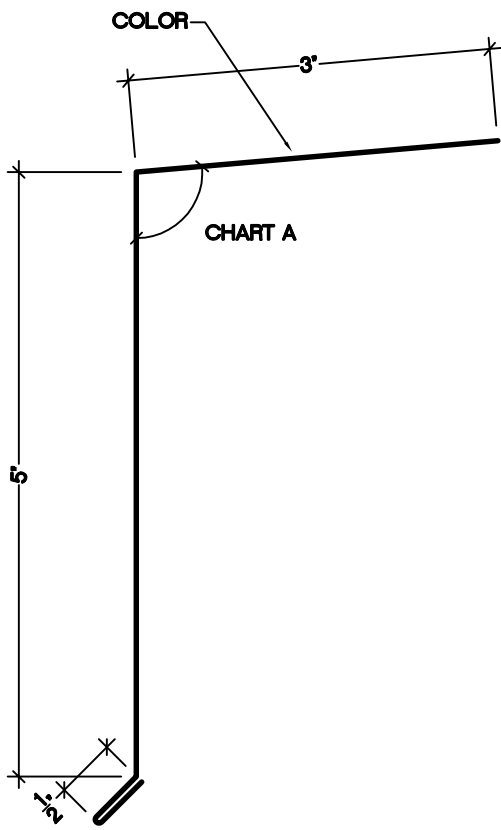
SLIT SIZE- 6"

LENGTHS FROM 3'-6" TO 20'-3"

NOTES:

1. ALL BENDS ARE 90° OR 45° U.N.O.
2. ALL HEMS ARE $\frac{1}{2}$ " U.N.O.

HRJT



LARGE EAVE (HRLET)

SLIT SIZE- 9"

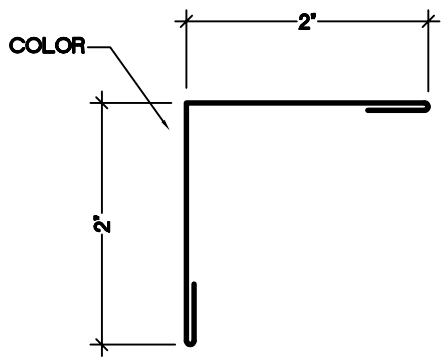
LENGTHS - 10'-3"

NOTES:

1. ALL BENDS ARE 90° OR 45° U.N.O.

2. ALL HEMS ARE 1/2" U.N.O.

CHART A		<h1>HRLET</h1>	
ROOF PITCH	DEGREES		
1:2	95°		
2:2	99°		
3:2	104°		
4:2	108°		



OUTSIDE ANGLE (2"X2")
(HROA2)

SLIT SIZE- 5"

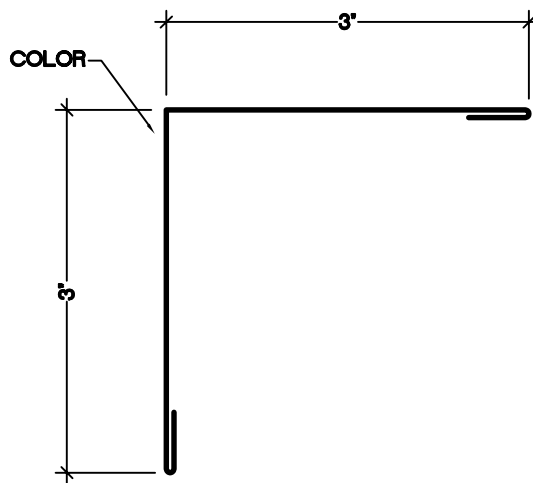
LENGTH - 10'-3"

NOTES:

1. ALL BENDS ARE 90°
OR 45° U.N.O.

2. ALL HEMS ARE ½" U.N.O.

HROA2



OUTSIDE ANGLE (3'X3')
(HROA3)

SLIT SIZE- 7"

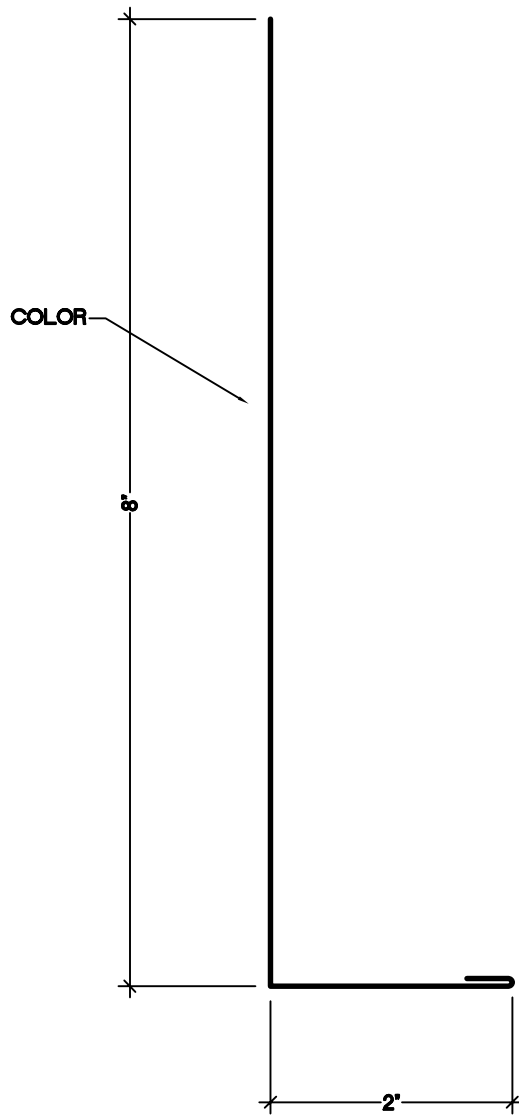
LENGTH - 10'-3"

NOTES:

**1. ALL BENDS ARE 90°
OR 45° U.N.O.**

2. ALL HEMS ARE ½" U.N.O.

HROA3



PURLIN EXTENSION TRIM
(HRPE)

SLIT SIZE- 10 1/2"

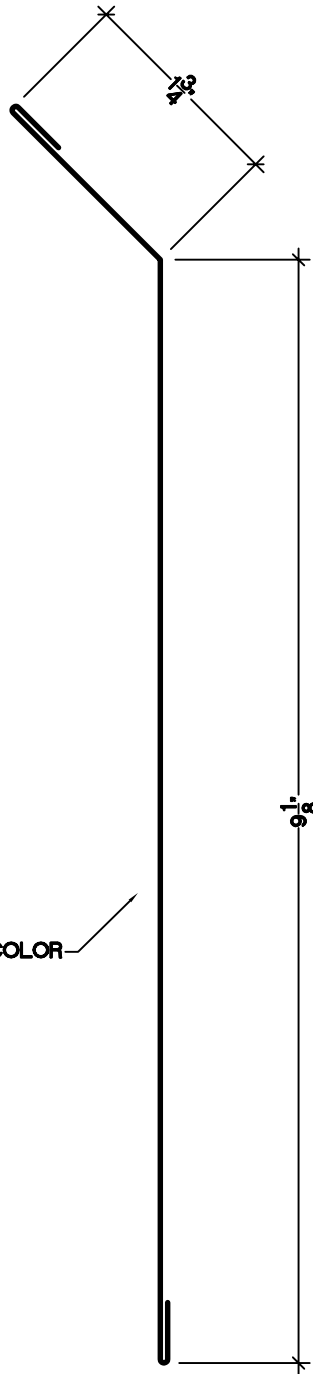
LENGTHS - 10'-3" AND 20'-3"

NOTES:

**1. ALL BENDS ARE 90°
OR 45° U.N.O.**

2. ALL HEMS ARE 1/2" U.N.O.

HRPE



COLOR

PARTITION TRIM (HRPT)

SLIT SIZE - 11 7/8"

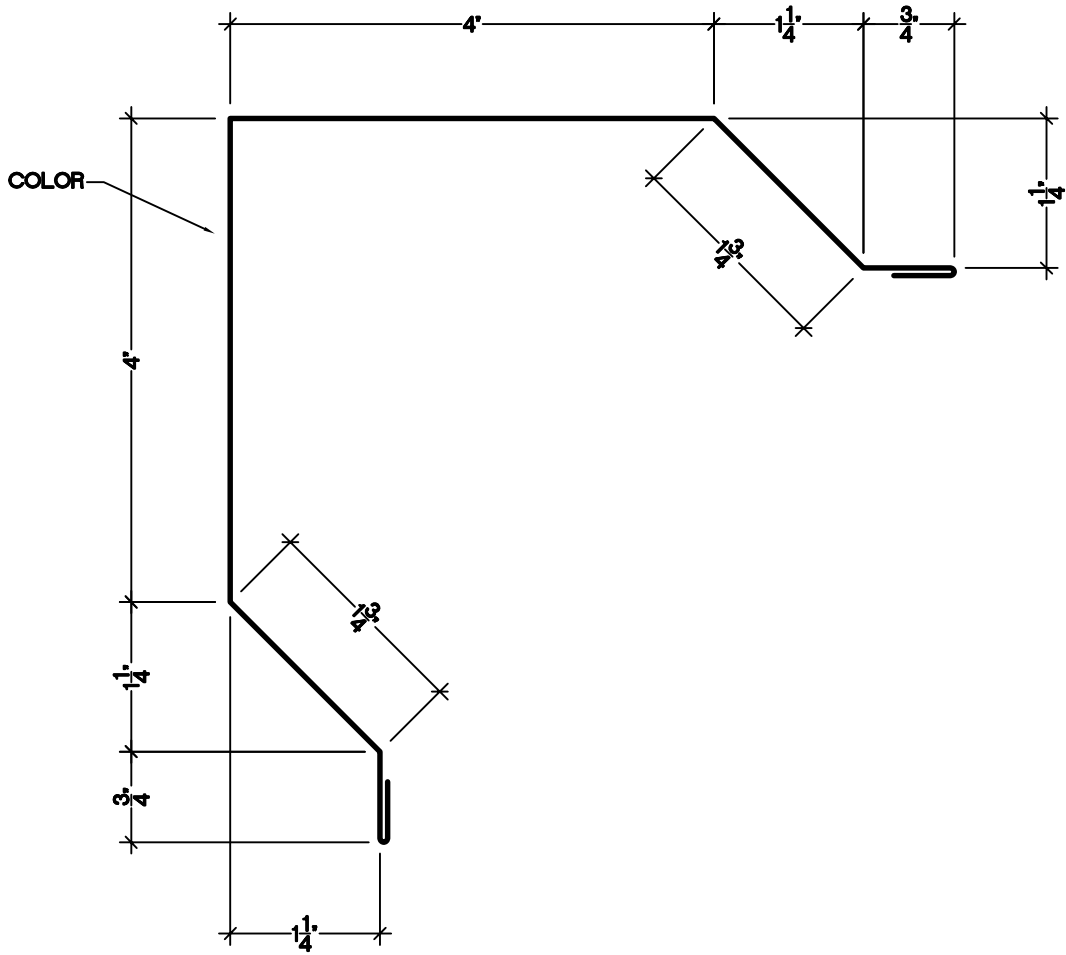
LENGTHS - 10'-3"

NOTES:

1. ALL BENDS ARE 90° OR 45° U.N.O.

2. ALL HEMS ARE 1/2" U.N.O.

HRPT



SMALL OUTSIDE CORNER
(HRSCO)

SLIT SIZE- 1/4"

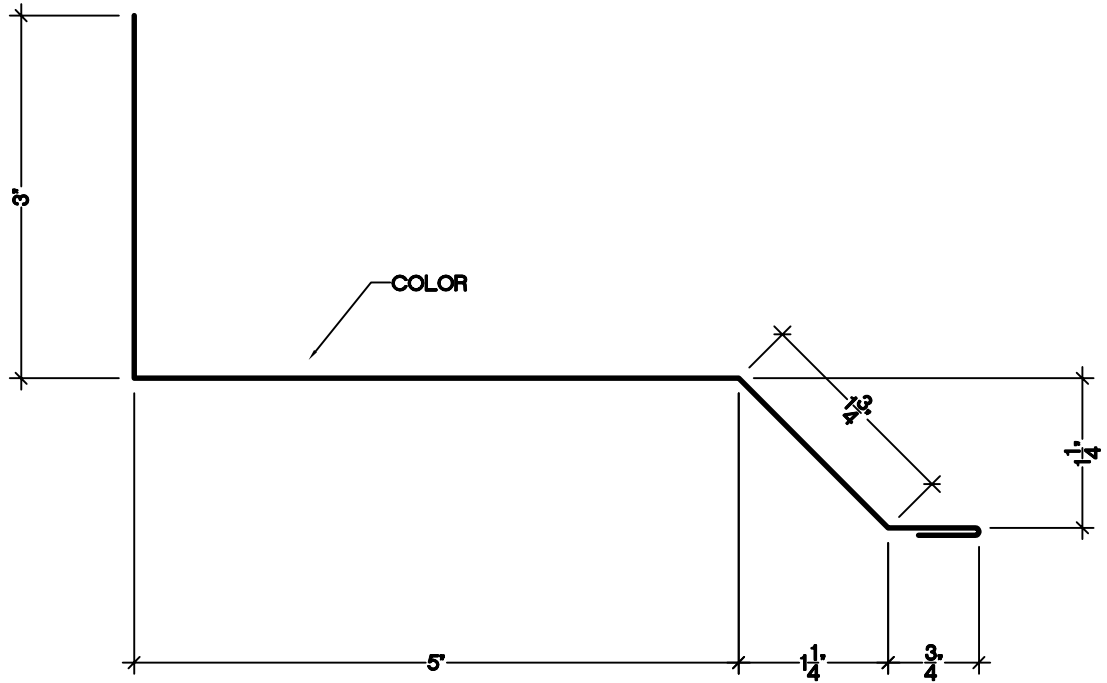
LENGTHS FROM 10'-3" TO 20'-3"

NOTES:

1. ALL BENDS ARE 90°
OR 45° U.N.O.

2. ALL HEMS ARE 1/2" U.N.O.

HRSCO



SIDEWALL TRANSITION (HRSW)

SLIT SIZE - 11"

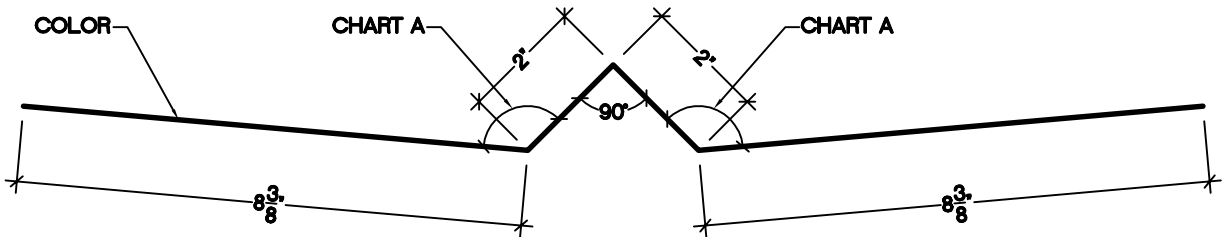
LENGTH - 10'-3"

NOTES:

1. ALL BENDS ARE 90° OR 45° U.N.O.
2. ALL HEMS ARE 1/2" U.N.O.

HRSW

CUSTOMER MAY NEED TO SPECIFY
DEGREE OF BEND FOR CHART A DUE
TO AN UNSYMMETRICAL ROOF SLOPE.



VALLEY FLASHING TRIM (HRVT)

SLIT SIZE - 20 3/4"

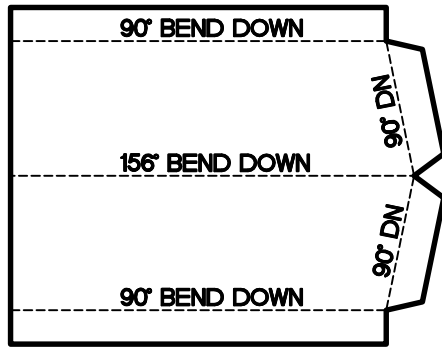
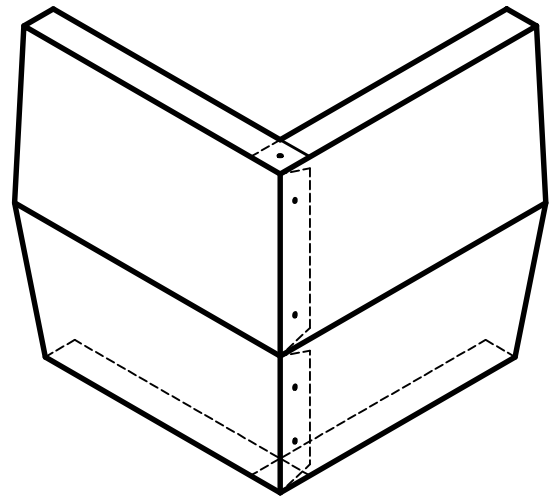
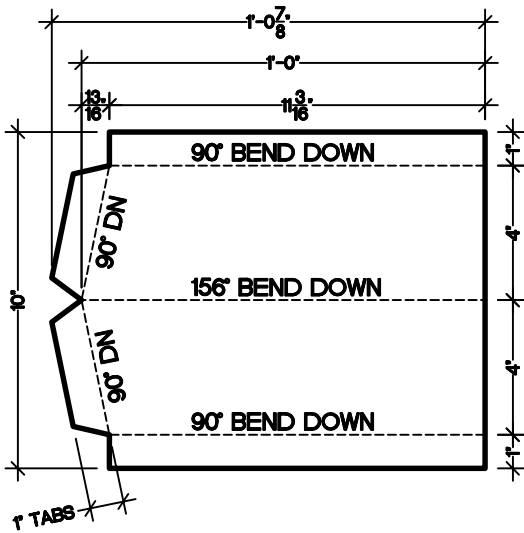
LENGTH - 10'-3"

NOTES:

1. ALL BENDS ARE 90° OR 45° U.N.O.

2. ALL HEMS ARE 1/2" U.N.O.

CHART A		<h1>HRVT</h1>	
ROOF PITCH	DEGREES		
1:12	132°		
2:12	128°		
3:12	125°		
4:12	122°		



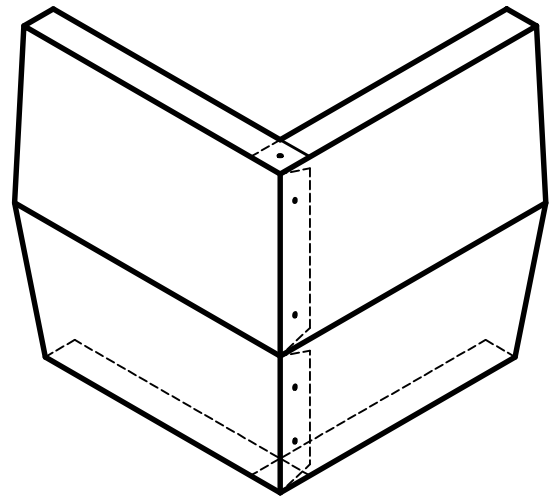
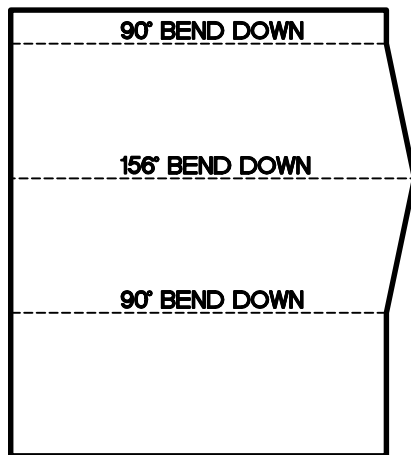
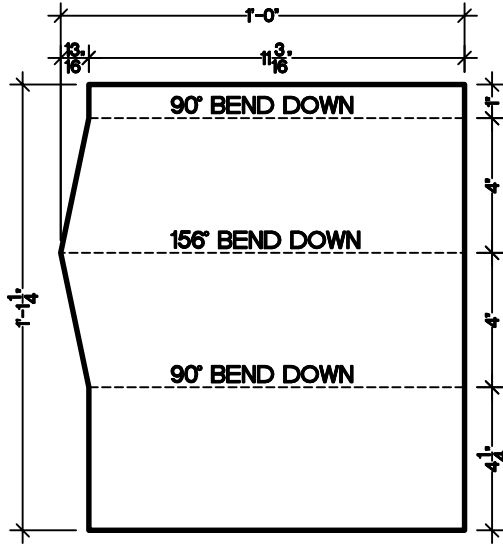
SCULPTURED CORNER BOX (SCB)

SLIT SIZE- 10'

NOTES:

1. ALL BENDS ARE 90° OR 45° U.N.O.
2. ALL HEMS ARE 1/2' U.N.O.

**SCB 1:12 - 4:12 PITCH
SCULPTURED CORNER
RAKE SIDE**



SCULPTURED CORNER BOX (SCB)

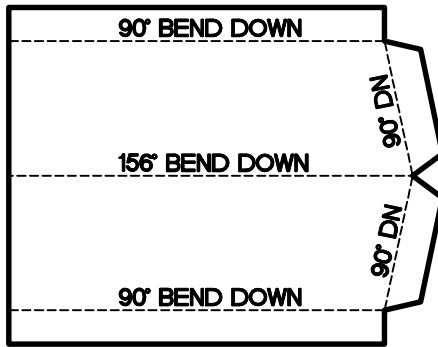
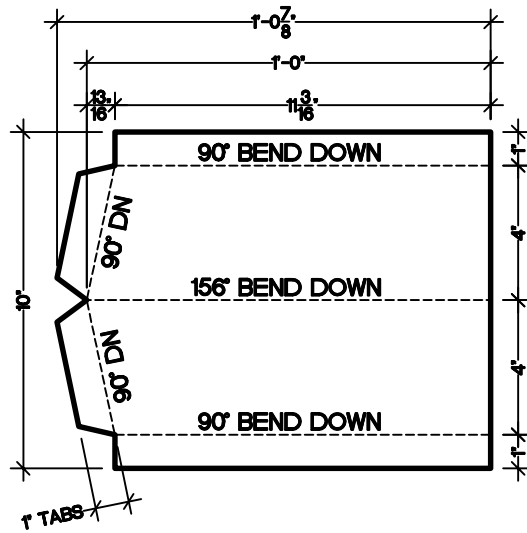
SLIT SIZE- 13 1/4"

NOTES:

1. ALL BENDS ARE 90° OR 45° U.N.O.

2. ALL HEMS ARE 1/2" U.N.O.

**SCB 1:12 - 4:12 PITCH
SCULPTURED CORNER
GUTTER SIDE**



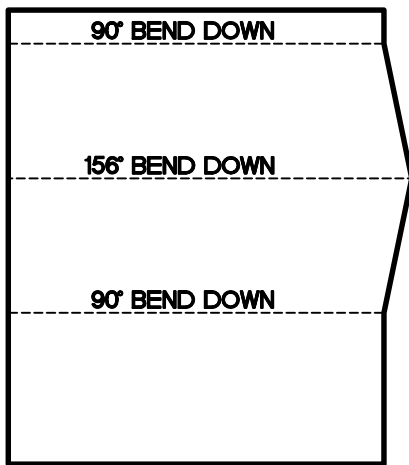
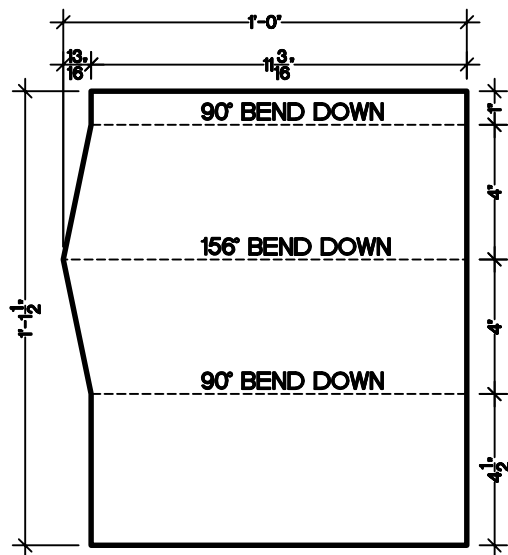
SCULPTURED CORNER BOX (SCB)

SLIT SIZE- 10'

NOTES:

1. ALL BENDS ARE 90° OR 45° U.N.O.
2. ALL HEMS ARE ½' U.N.O.

**SCB 5:12 - 6:12 PITCH
SCULPTURED CORNER
RAKE SIDE**



SCULPTURED CORNER BOX (SCB)

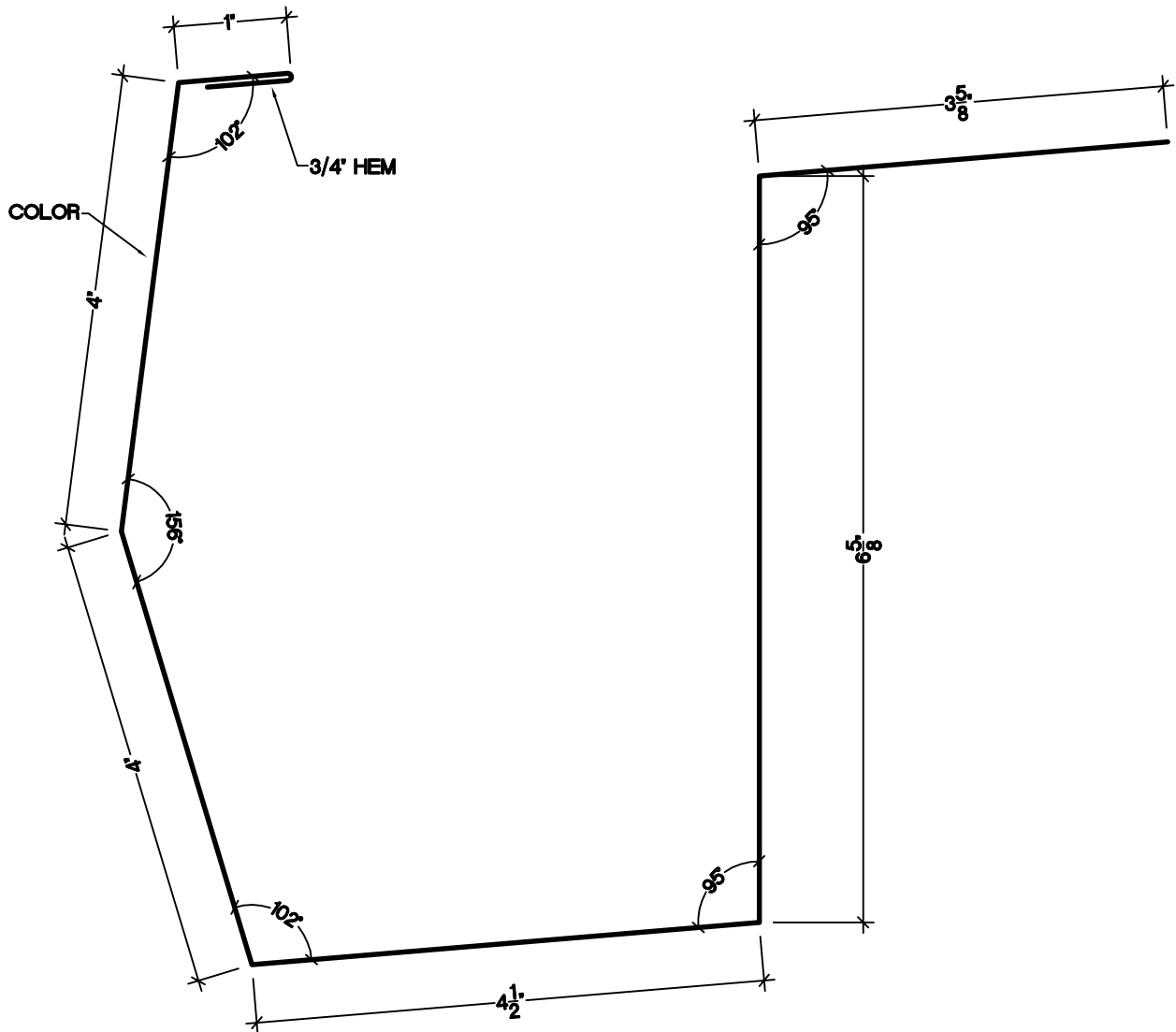
SLIT SIZE- 13 1/2"

NOTES:

1. ALL BENDS ARE 90° OR 45° U.N.O.

2. ALL HEMS ARE 1/2" U.N.O.

**SCB 5:12 - 6:12 PITCH
SCULPTURED CORNER
GUTTER SIDE**



PRE-HUNG GUTTER (SG)

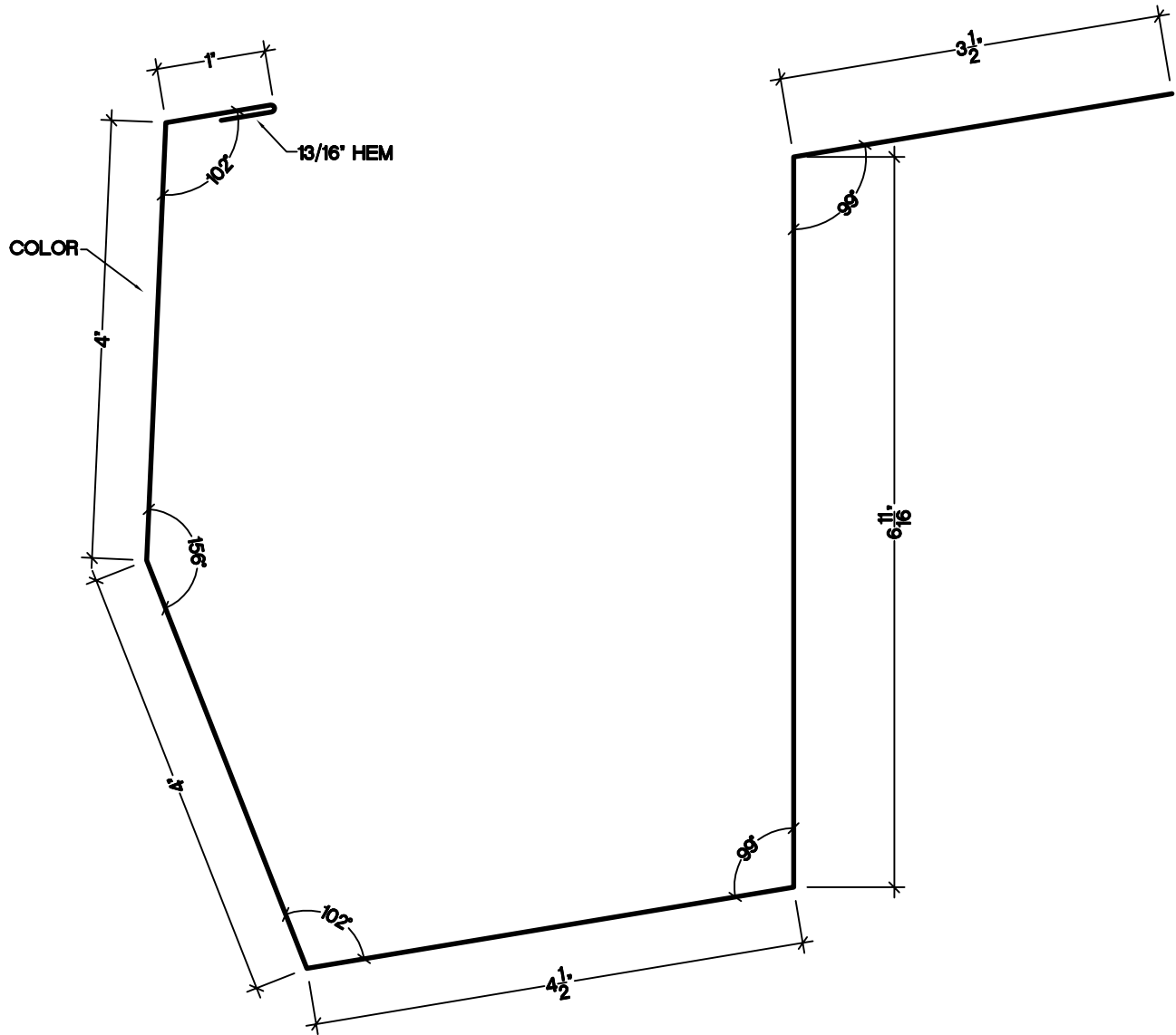
SLIT SIZE- 24 1/2"

LENGTHS - 10'-3" OR 20'-3"

NOTES:

1. ALL BENDS ARE 90° OR 45° U.N.O.
2. ALL HEMS ARE 1/2" U.N.O.

SG 1:12 PITCH



PRE-HUNG GUTTER (SG)

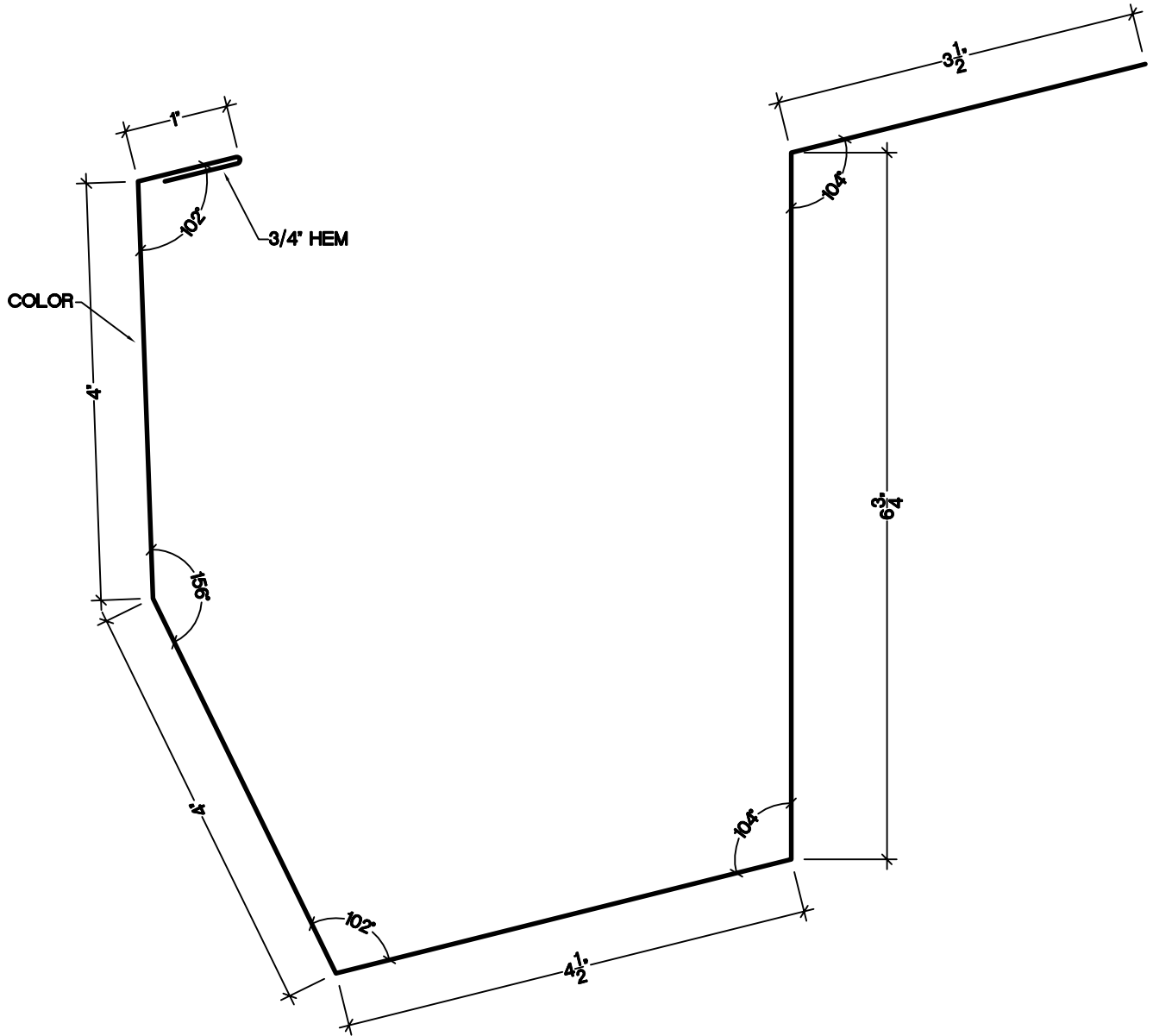
SLIT SIZE- 24 1/2'

LENGTHS - 10'-3" OR 20'-3"

NOTES:

1. ALL BENDS ARE 90° OR 45° U.N.O.
2. ALL HEMS ARE 1/2" U.N.O.

SG 2:12 PITCH



PRE-HUNG GUTTER (SG)

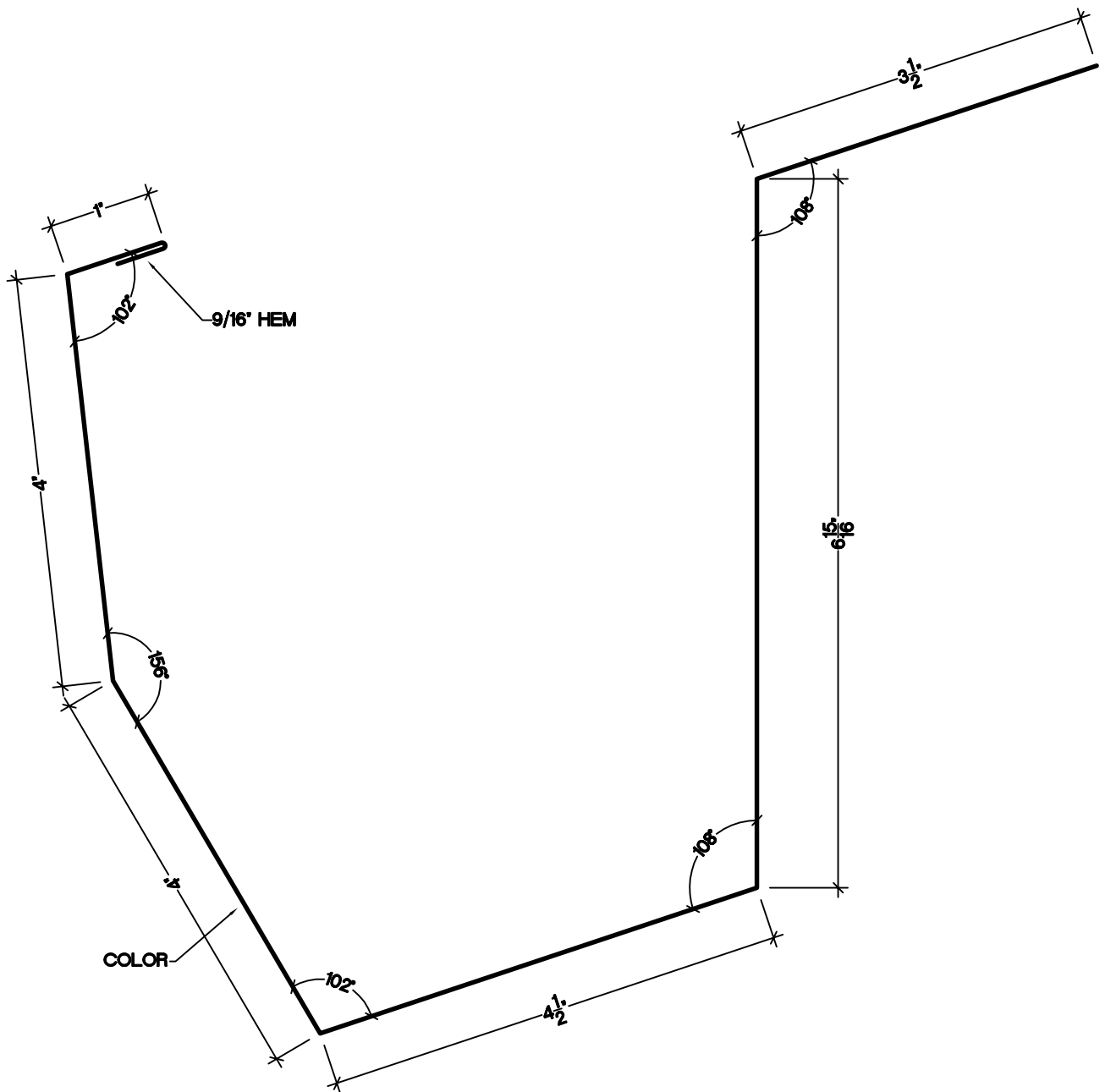
SLIT SIZE- 24 1/2'

LENGTHS - 10'-3" OR 20'-3"

NOTES:

- 1. ALL BENDS ARE 90° OR 45° U.N.O.**
- 2. ALL HEMS ARE 1/2" U.N.O.**

SG 3:12 PITCH



PRE-HUNG GUTTER (SG)

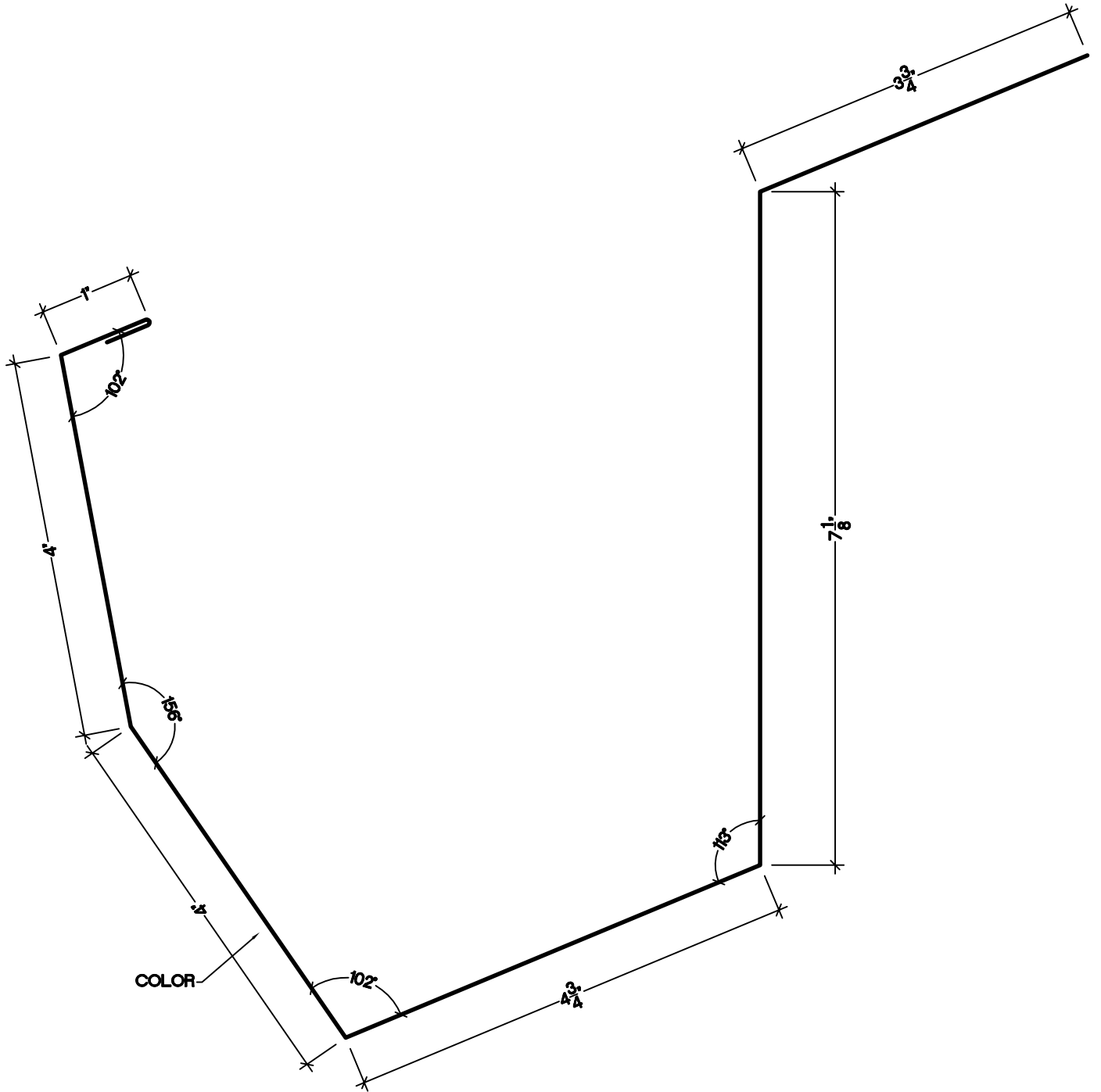
SLIT SIZE- 24 1/2"

LENGTHS - 10'-3" OR 20'-3"

NOTES:

1. ALL BENDS ARE 90° OR 45° U.N.O.
2. ALL HEMS ARE 1/2" U.N.O.

SG 4:12 PITCH



PRE-HUNG GUTTER (SG)

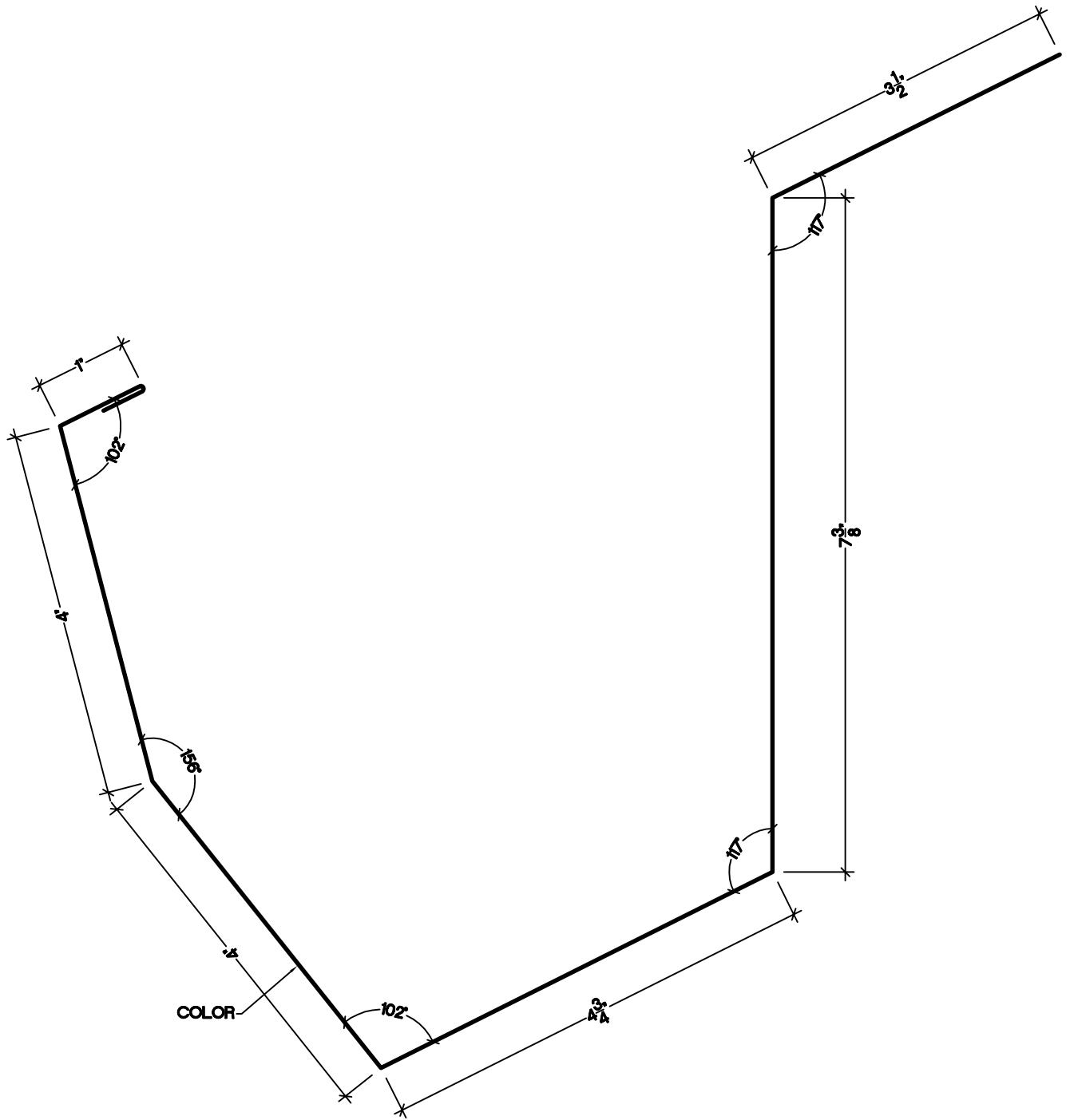
SLIT SIZE- 25 1/8"

LENGTHS - 10'-3" OR 20'-3"

NOTES:

1. ALL BENDS ARE 90° OR 45° U.N.O.
2. ALL HEMS ARE 1/2" U.N.O.

SG 5:12 PITCH



PRE-HUNG GUTTER (SG)

SLIT SIZE- 25 1/8"

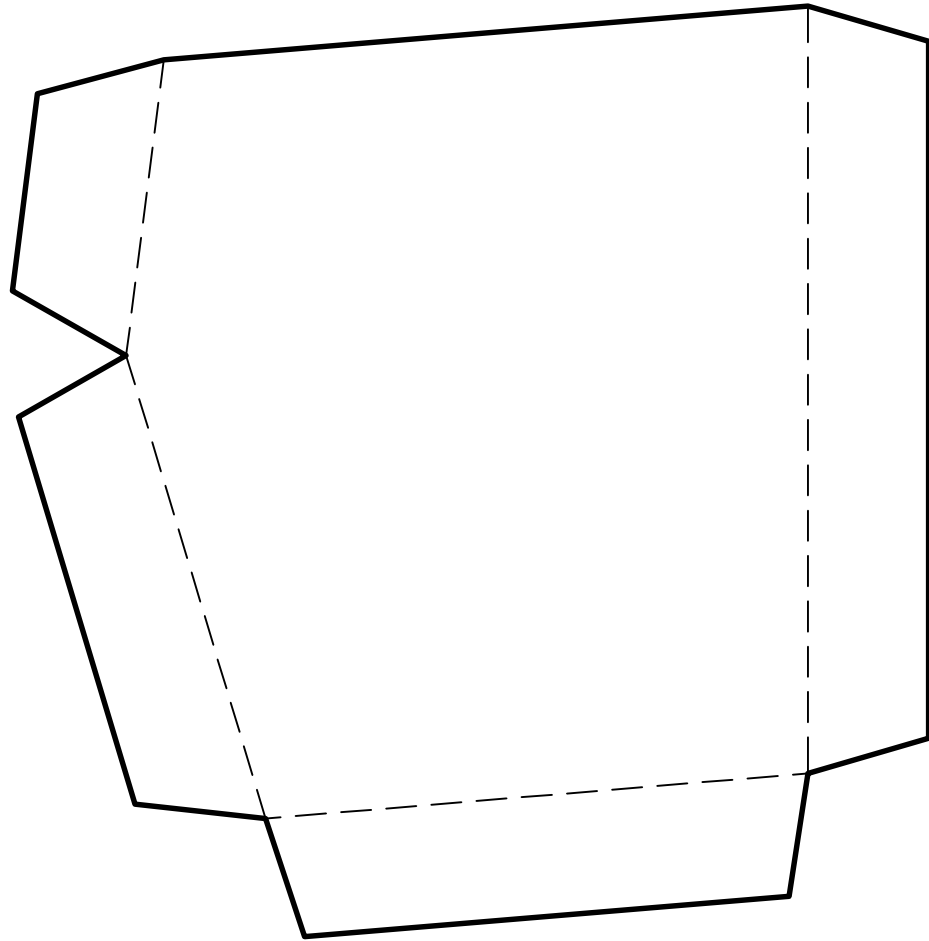
LENGTHS - 10'-3" OR 20'-3"

NOTES:

1. ALL BENDS ARE 90° OR 45° U.N.O.

2. ALL HEMS ARE 1/2" U.N.O.

SG 6:12 PITCH



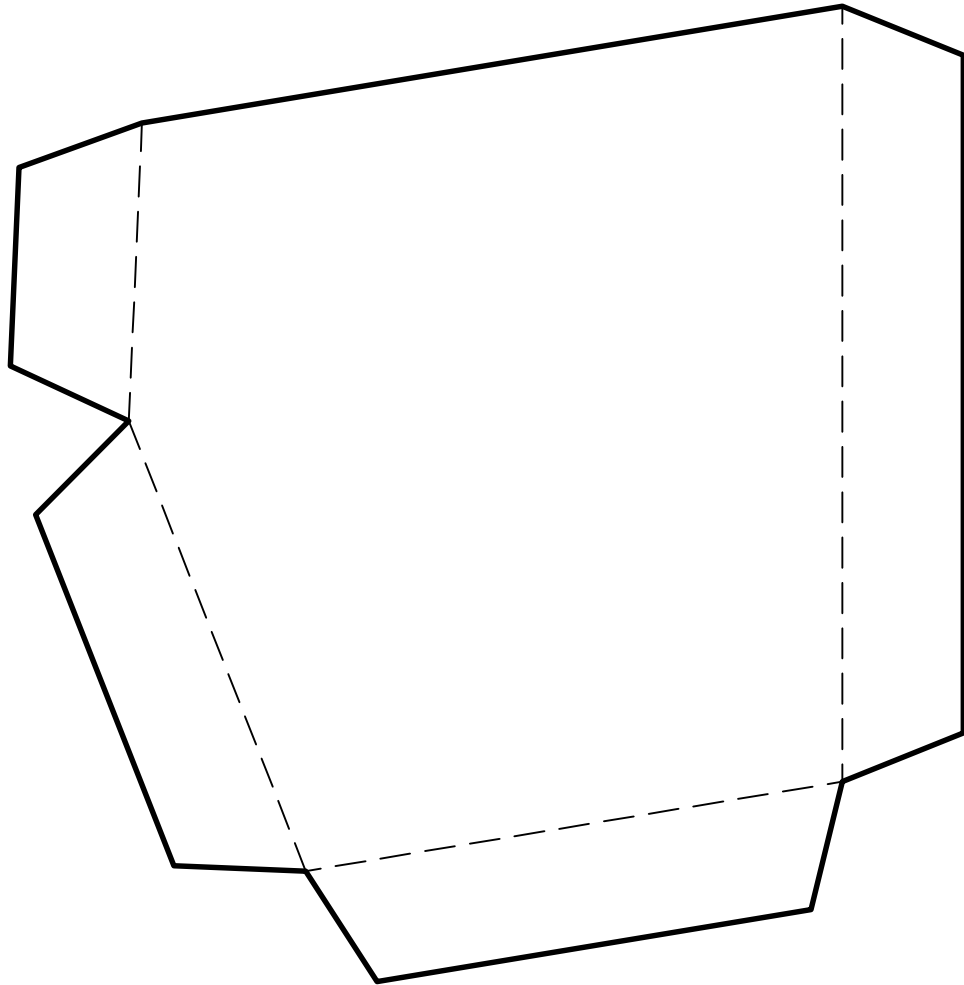
GUTTER END CAP (SGEC)

SLIT SIZE- 7 9/16"

NOTES:

1. ALL BENDS ARE 90° U.N.O.

	<p>SGEC GUT END CAP 1:12 PITCH</p>	
--	---	--



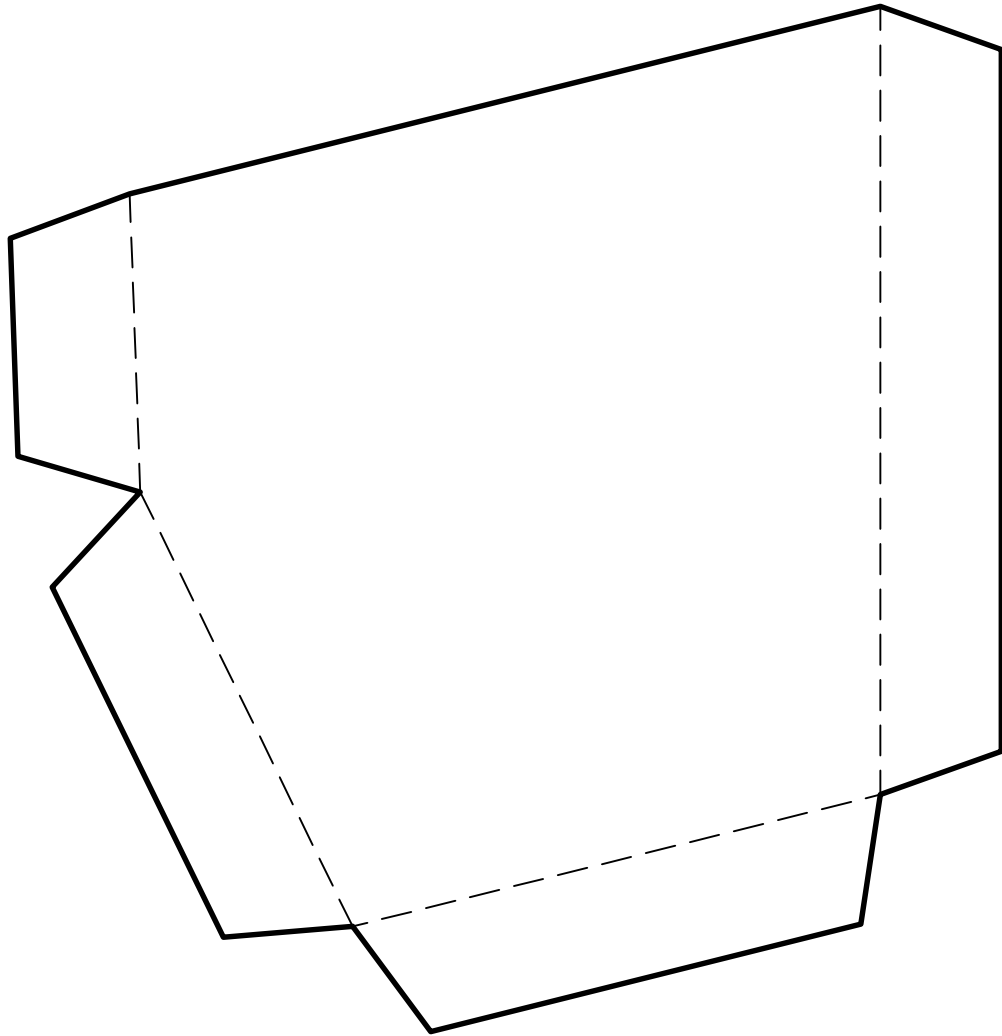
GUTTER END CAP (SGEC)

SLIT SIZE- 7 7/8"

NOTES:

1. ALL BENDS ARE 90° U.N.O.

	<p>SGEC GUT END CAP 2:12 PITCH</p>	
--	---	--



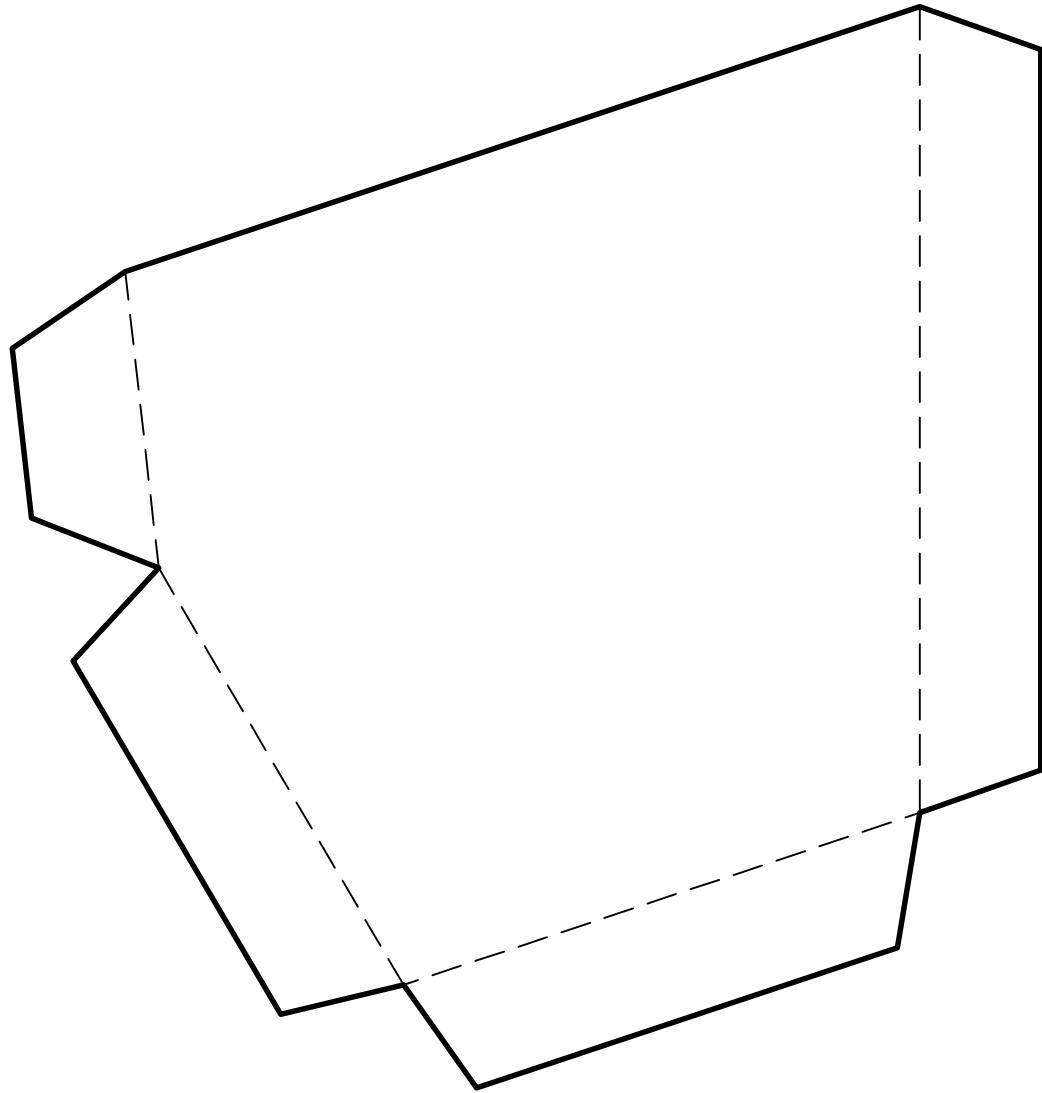
GUTTER END CAP (SGEC)

SLIT SIZE- 8 1/8"

NOTES:

1. ALL BENDS ARE 90° U.N.O.

	<p>SGEC GUT END CAP 3:12 PITCH</p>	
--	---	--



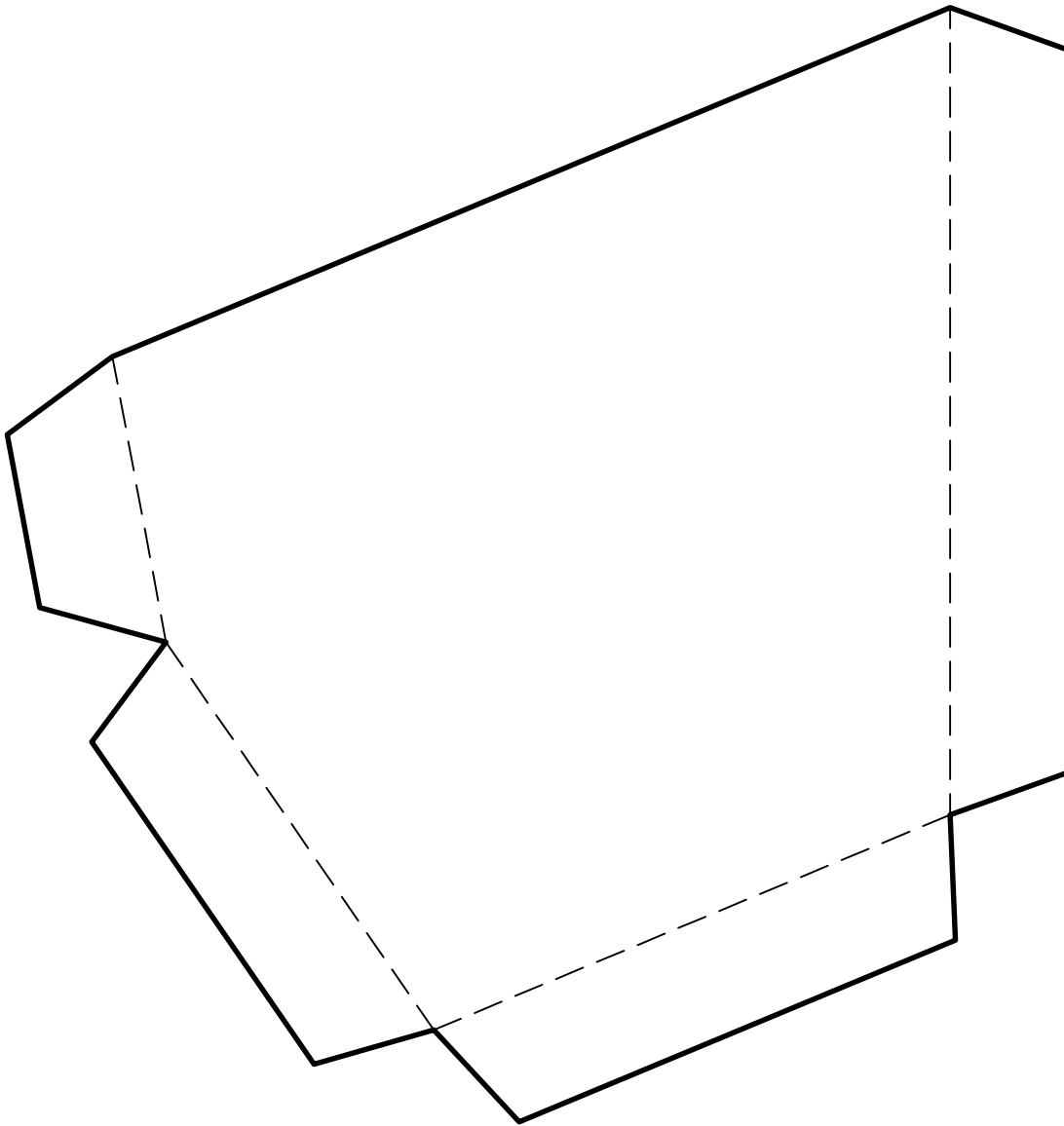
GUTTER END CAP (SGEC)

SLIT SIZE- 8 1/2'

NOTES:

1. ALL BENDS ARE 90° U.N.O.

	<p>SGEC GUT END CAP 4:12 PITCH</p>	
--	---	--



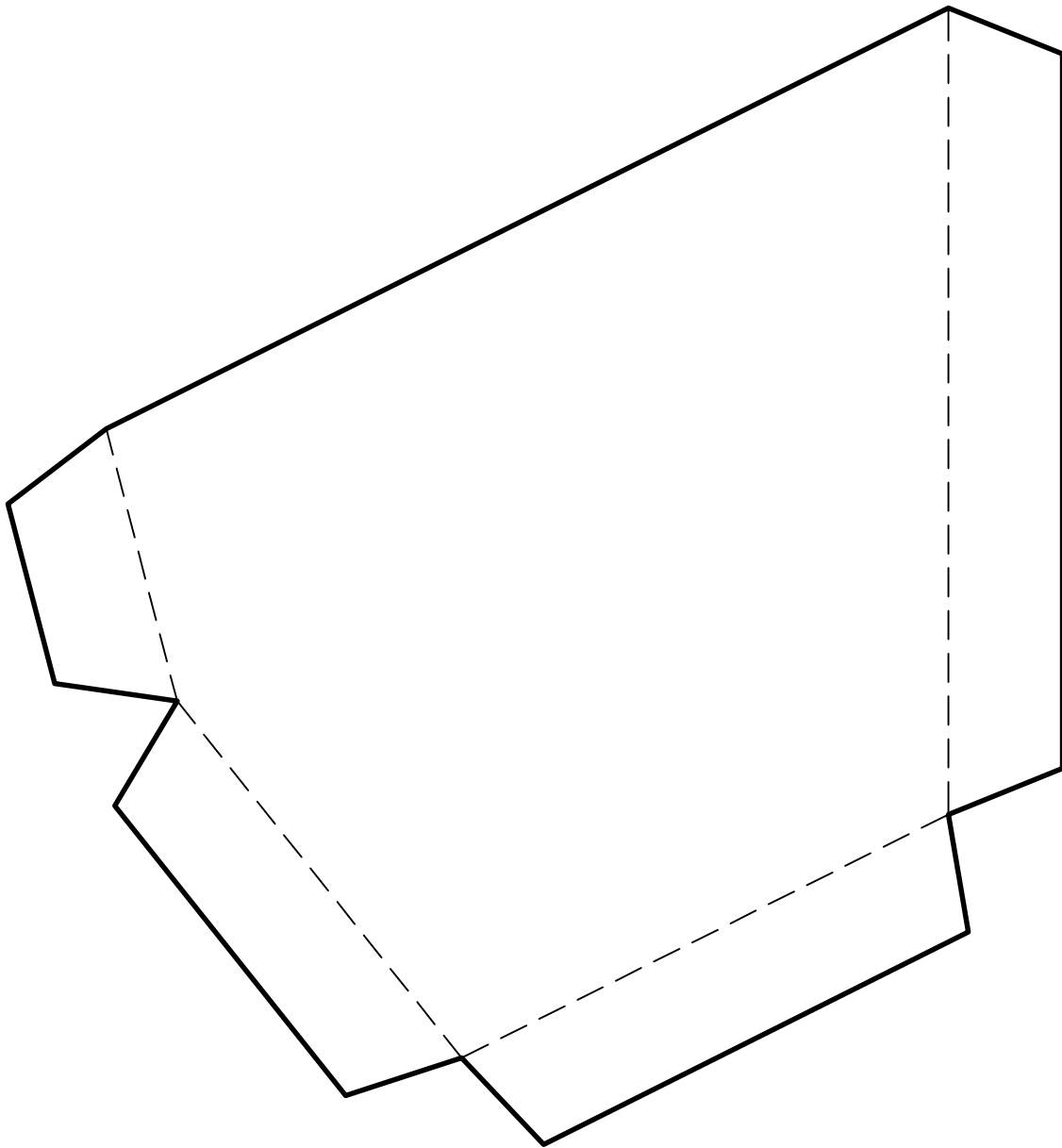
GUTTER END CAP (SGEC)

SLIT SIZE- 9 1/2'

NOTES:

1. ALL BENDS ARE 90° U.N.O.

	<p>SGEC GUT END CAP 5:12 PITCH</p>	
--	---	--



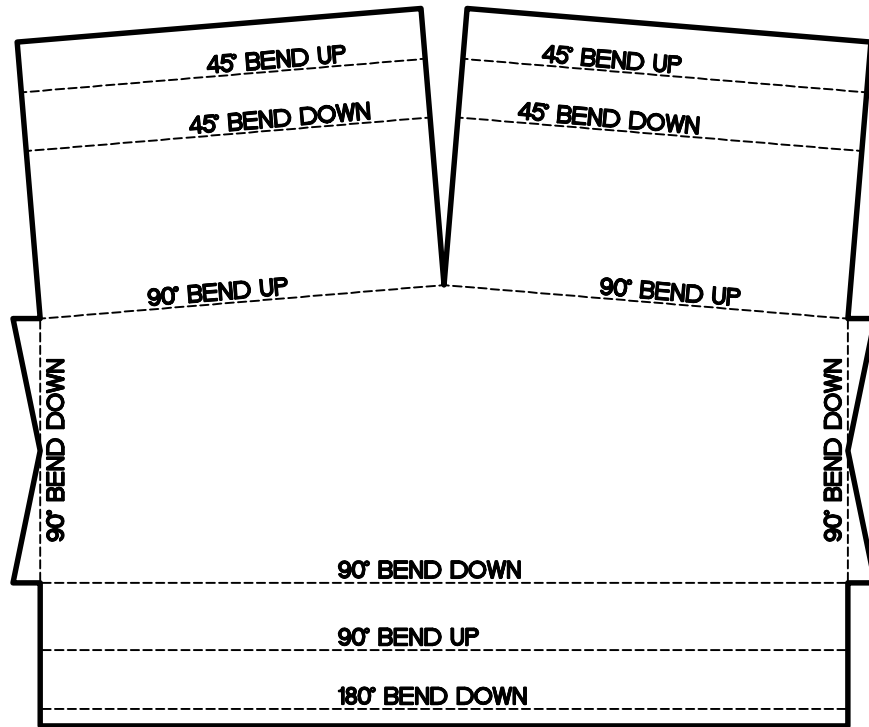
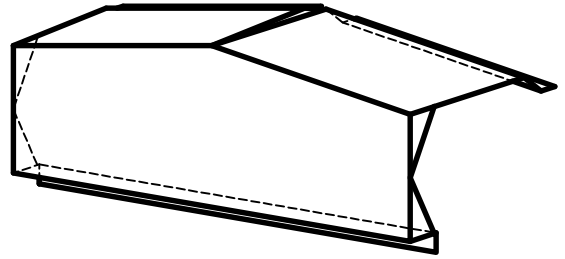
GUTTER END CAP (SGEC)

SLIT SIZE- 10"

NOTES:

1. ALL BENDS ARE 90° U.N.O.

	<p>SGEC GUT END CAP 6:12 PITCH</p>	
--	---	--



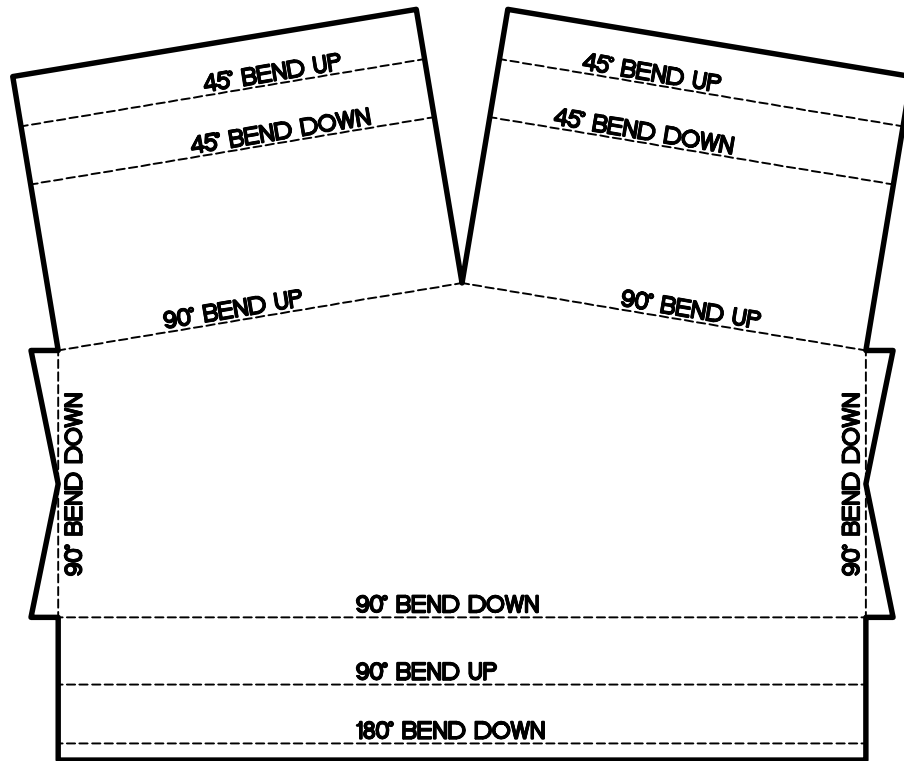
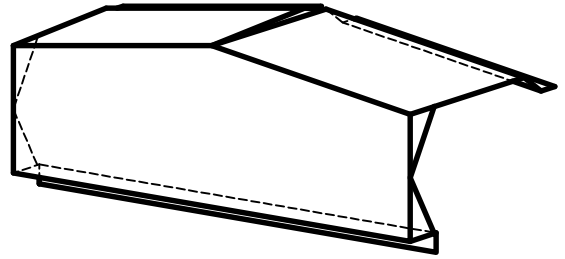
SCULPTURED PEAK BOX (SPB)

SLIT SIZE- 25 5/8"

NOTES:

1. ALL BENDS ARE 90° OR 45° U.N.O.
2. ALL HEMS ARE 1/2" U.N.O.

SPB 1:12 PEAK BOX



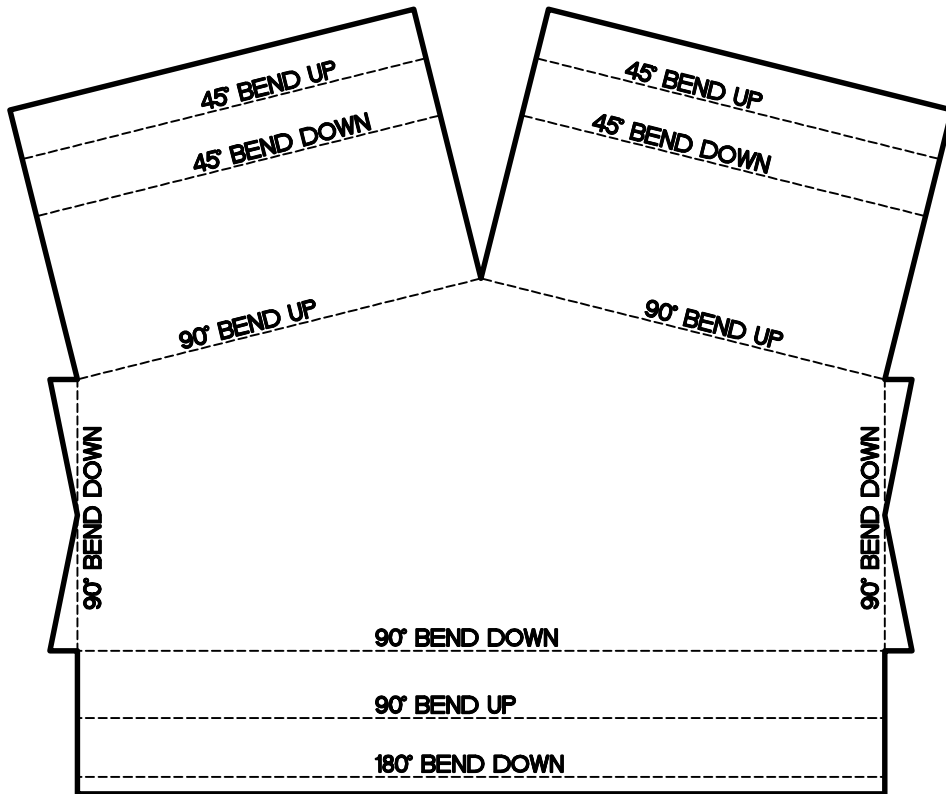
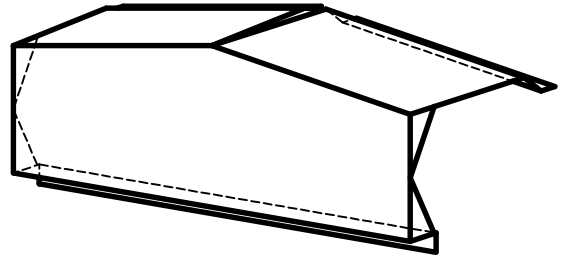
SCULPTURED PEAK BOX (SPB)

SLIT SIZE- 25 5/8"

NOTES:

1. ALL BENDS ARE 90° OR 45° U.N.O.
2. ALL HEMS ARE 1/2" U.N.O.

SPB 2:12 PEAK BOX



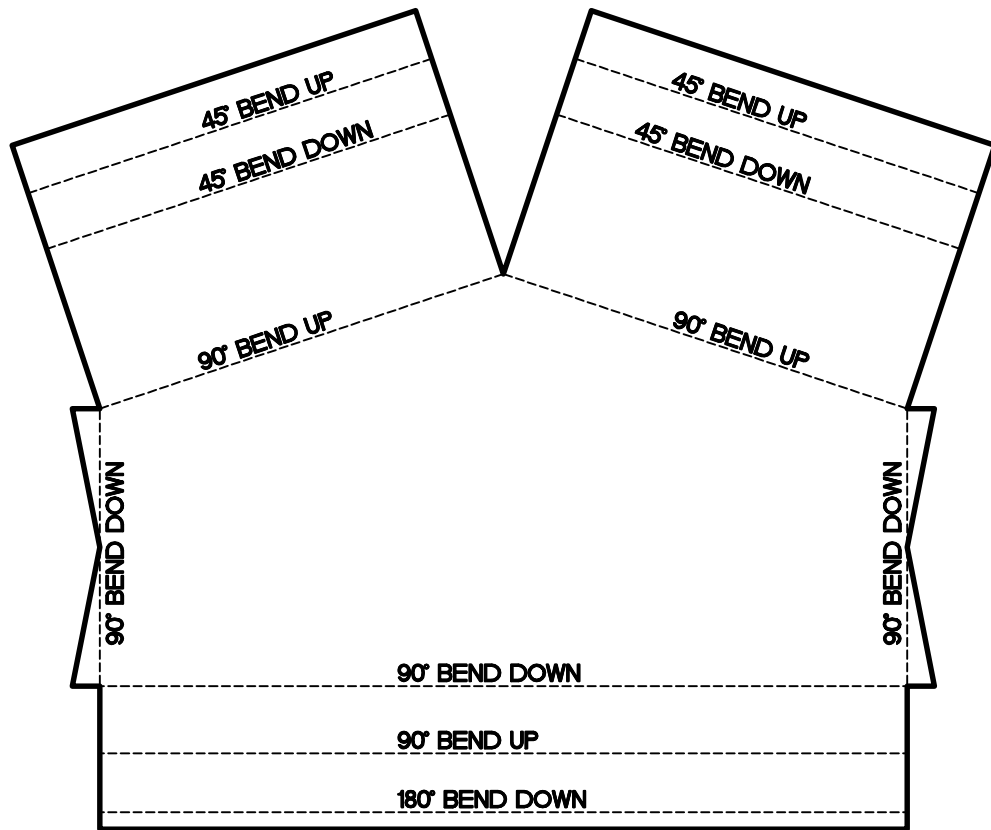
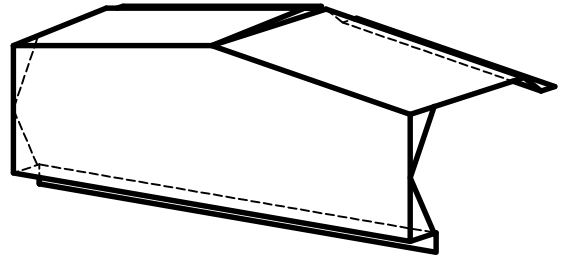
SCULPTURED PEAK BOX (SPB)

SLIT SIZE- 25 5/8"

NOTES:

1. ALL BENDS ARE 90° OR 45° U.N.O.
2. ALL HEMS ARE 1/2" U.N.O.

SPB 3:12 PEAK BOX



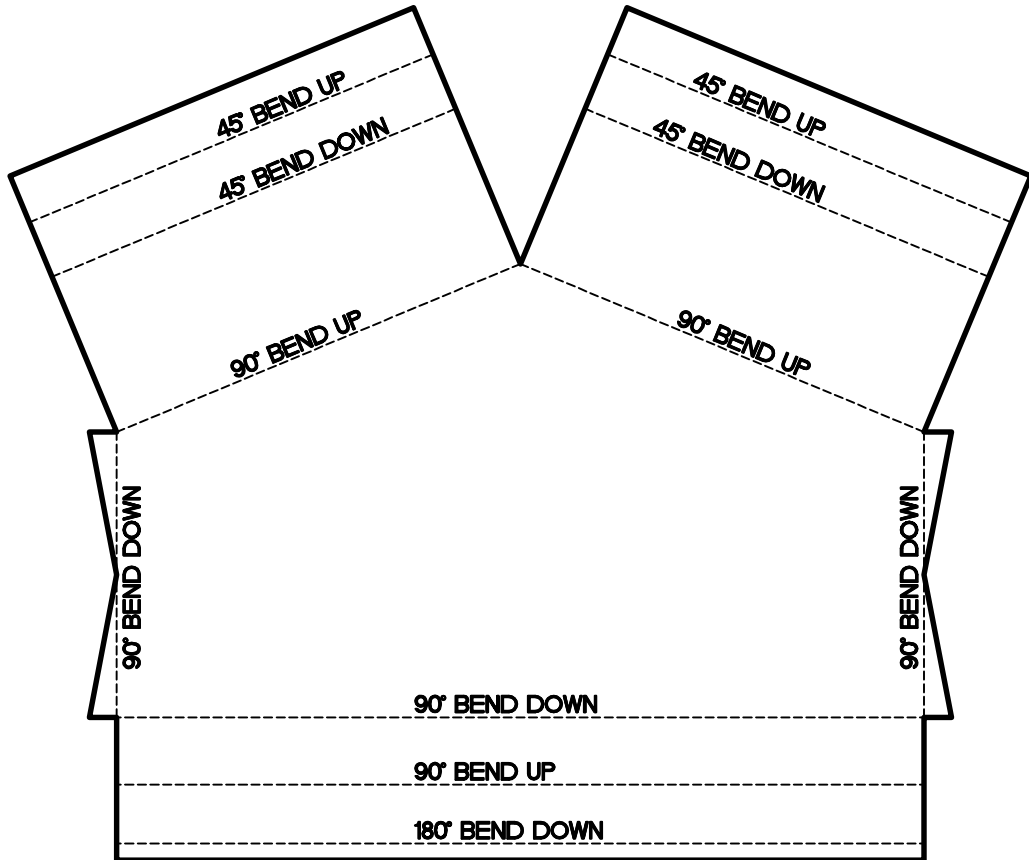
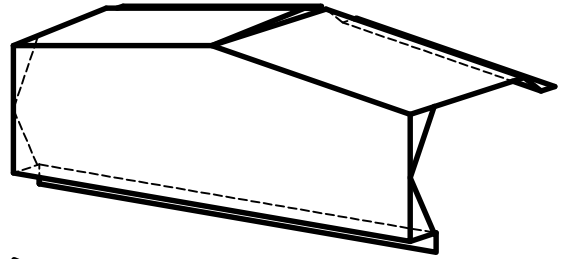
SCULPTURED PEAK BOX (SPB)

SLIT SIZE- 25 5/8"

NOTES:

1. ALL BENDS ARE 90° OR 45° U.N.O.
2. ALL HEMS ARE 1/2" U.N.O.

SPB 4:12 PEAK BOX



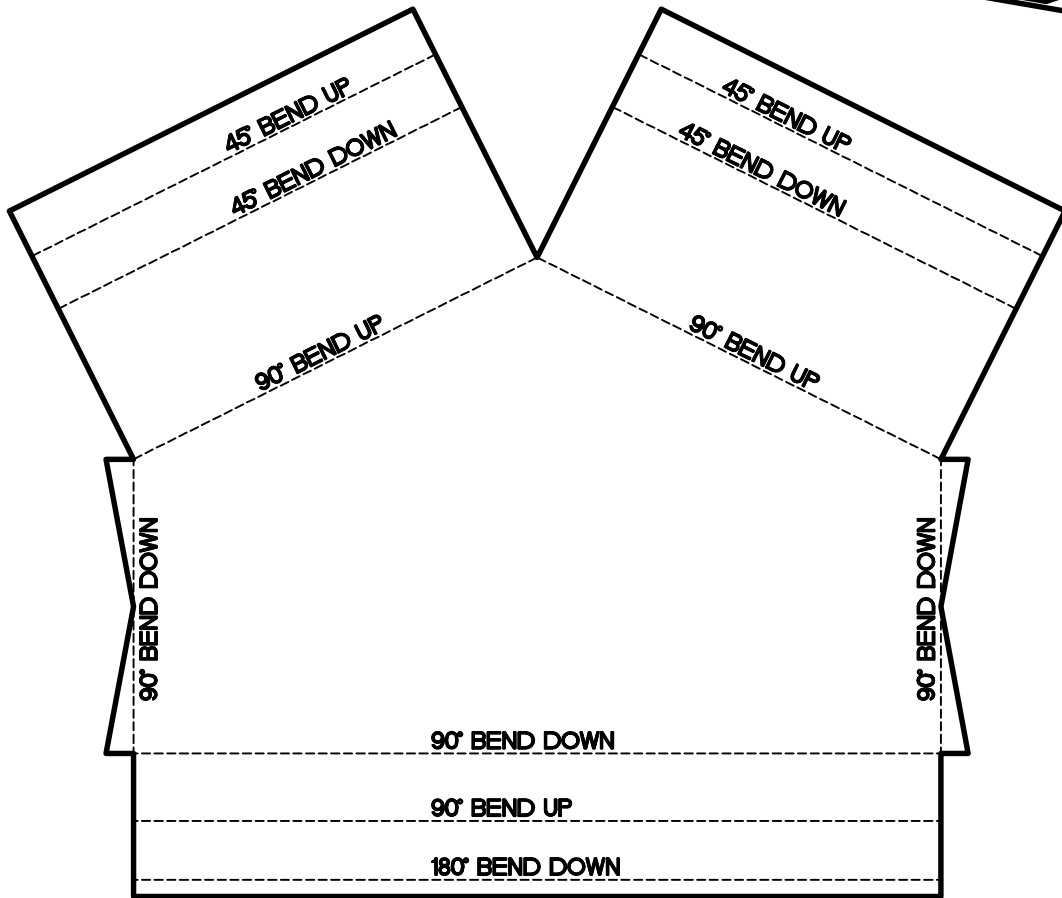
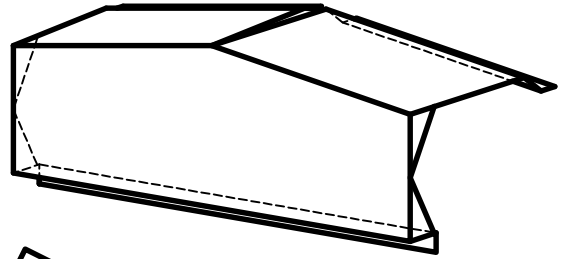
SCULPTURED PEAK BOX (SPB)

SLIT SIZE- 30 3/8"

NOTES:

1. ALL BENDS ARE 90° OR 45° U.N.O.
2. ALL HEMS ARE 1/2" U.N.O.

SPB 5:12 PEAK BOX



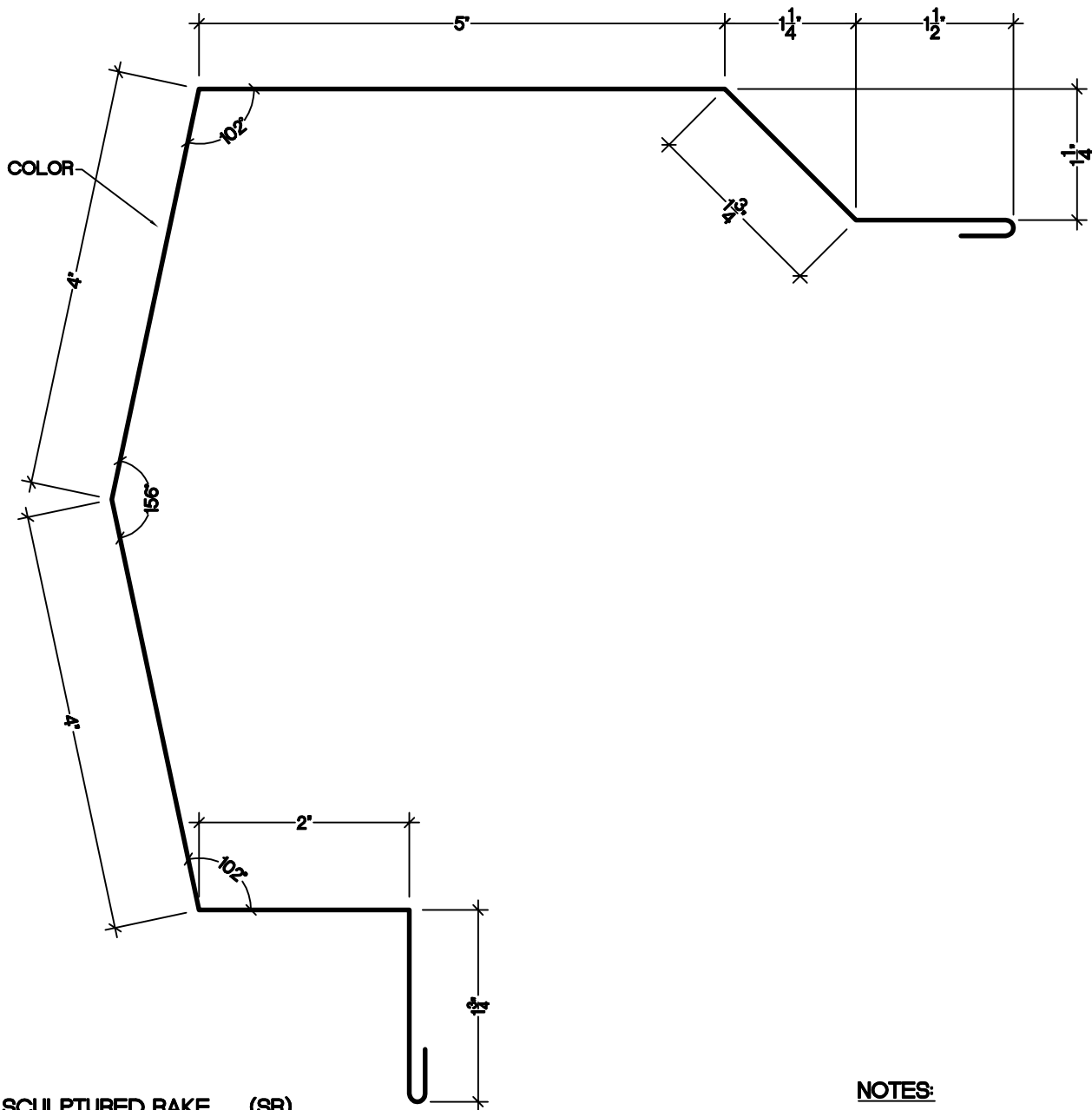
SCULPTURED PEAK BOX (SPB)

SLIT SIZE- 31 3/8"

NOTES:

1. ALL BENDS ARE 90° OR 45° U.N.O.
2. ALL HEMS ARE 1/2" U.N.O.

**SPB
6:12 PEAK BOX**



SCULPTURED RAKE (SR)

SLIT SIZE- 2"

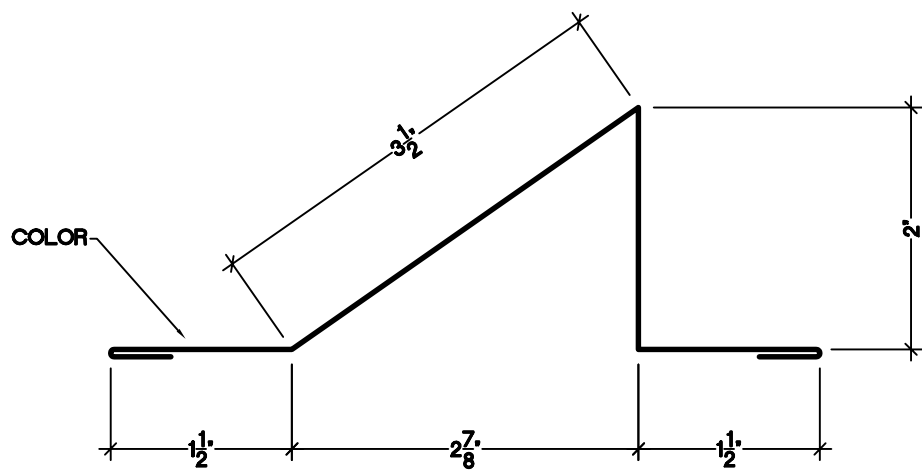
LENGTHS FROM 10'-3" TO 20'-3"

NOTES:

1. ALL BENDS ARE 90° OR 45° U.N.O.

2. ALL HEMS ARE 1/2" U.N.O.

SR



SNOW GUARD (SN)

SLIT SIZE = 8 1/2"

LENGTHS = 10'-3"

NOTES:

1. ALL BENDS ARE 90° OR 45° U.N.O.
2. ALL HEMS ARE 1/2" U.N.O.

SN